

Trinity Glass International

GLAZED FIBERGLASS DOOR

NON-IMPACT INSWING/OUTSWING

INSTALLATION NOTES:

1. ONE (1) INSTALLATION ANCHOR IS REQUIRED AT EACH ANCHOR LOCATION SHOWN.
2. THE NUMBER OF INSTALLATION ANCHORS DEPICTED IS THE MINIMUM NUMBER OF ANCHORS TO BE USED FOR PRODUCT INSTALLATION OF THE MAXIMUM SIZE LISTED.
3. INSTALL INDIVIDUAL INSTALLATION ANCHORS WITHIN A TOLERANCE OF ±1/2 INCH (I.E., WITHOUT CONSIDERATION OF TOLERANCES), TOLERANCES ARE NOT CUMULATIVE FROM ONE INSTALLATION ANCHOR TO THE NEXT.
4. SHIM AS REQUIRED AT EACH INSTALLATION ANCHOR WITH LOAD BEARING SHIM(S). MAXIMUM ALLOWABLE SHIM STACK TO BE 1/4 INCH. SHIM WHERE SPACE OF 1/16 INCH OR GREATER OCCURS. SHIM(S) SHALL BE CONSTRUCTED OF HIGH DENSITY PLASTIC OR BETTER.
5. THROUGH FRAME: FOR INSTALLATION INTO 2X WOOD FRAMING USE MINIMUM #10 WOOD SCREWS OF SUFFICIENT LENGTH TO ACHIEVE 1 1/2" MINIMUM EMBEDMENT INTO WOOD SUBSTRATE. MINIMUM EDGE DISTANCE OF 3/4" SHALL BE MAINTAINED.
6. THROUGH FRAME: FOR INSTALLATION INTO CONCRETE/MASONRY, USE 1/4" ITW TAPCONS OR 1/4" ELCO ULTRACONS OR 3/16" ITW TAPCONS OF SUFFICIENT LENGTH TO ACHIEVE 1 1/4" MINIMUM EMBEDMENT INTO CONCRETE/MASONRY.
7. MINIMUM EMBEDMENT AND EDGE DISTANCE EXCLUDE WALL FINISHES, INCLUDING BUT NOT LIMITED TO STUCCO, FOAM, BRICK VENEER, AND SIDING.
8. INSTALLATION ANCHORS AND ASSOCIATED HARDWARE MUST BE MADE OF CORROSION RESISTANT MATERIAL OR HAVE A CORROSION RESISTANT COATING.
9. FOR HOLLOW BLOCK AND GROUT FILLED BLOCK, DO NOT INSTALL INSTALLATION ANCHORS INTO MORTAR JOINTS. EDGE DISTANCE IS MEASURED FROM FREE EDGE OF BLOCK OR EDGE OF MORTAR JOINT INTO FACE SHELL OF BLOCK.
10. INSTALLATION ANCHORS SHALL BE INSTALLED IN ACCORDANCE WITH ANCHOR MANUFACTURER'S INSTALLATION INSTRUCTIONS, AND ANCHORS SHALL NOT BE USED IN SUBSTRATES WITH STRENGTHS LESS THAN THE MINIMUM STRENGTH SPECIFIED BY THE ANCHOR MANUFACTURER.
11. INSTALLATION ANCHOR CAPACITIES FOR PRODUCTS HEREIN ARE BASED ON SUBSTRATE MATERIALS WITH THE FOLLOWING PROPERTIES:
 - A. WOOD - MINIMUM SPECIFIC GRAVITY OF 0.55.
 - B. CONCRETE - MINIMUM 3000 PSI COMPRESSIVE STRENGTH
 - C. HOLLOW/GROUT FILLED CMU - STRENGTH CONFORMANCE TO ASTM C90, MIN. F'm = 2000 PSI.

GENERAL NOTES:

1. THE PRODUCT SHOWN HEREIN IS DESIGNED AND MANUFACTURED TO COMPLY WITH THE CURRENT FLORIDA BUILDING CODE (FBC), INCLUDING HVHZ AND HAS BEEN EVALUATED ACCORDING TO THE FOLLOWING:
 - TAS 202-94
 - ASTM E283-04
 - ASTM E330-02
 - ASTM E331-00
 - AAMA 1304-02
2. ADEQUACY OF THE EXISTING STRUCTURAL CONCRETE/MASONRY AND 2X FRAMING AS A MAIN WIND FORCE RESISTING SYSTEM CAPABLE OF WITHSTANDING AND TRANSFERRING APPLIED PRODUCT LOADS TO THE FOUNDATION IS THE RESPONSIBILITY OF THE ENGINEER OR ARCHITECT OF RECORD FOR THE PROJECT OF INSTALLATION.
3. 1X AND 2X BUCKS (WHEN USED) SHALL BE DESIGNED AND ANCHORED TO PROPERLY TRANSFER ALL LOADS TO THE STRUCTURE. BUCK DESIGN AND INSTALLATION IS THE RESPONSIBILITY OF THE ENGINEER OR ARCHITECT OF RECORD FOR THE PROJECT OF INSTALLATION.
4. THE INSTALLATION DETAILS DESCRIBED HEREIN ARE GENERIC AND MAY NOT REFLECT ACTUAL CONDITIONS FOR A SPECIFIC SITE. IF SITE CONDITIONS CAUSE INSTALLATION TO DEVIATE FROM THE REQUIREMENTS DETAILED HEREIN, A LICENSED ENGINEER OR ARCHITECT SHALL PREPARE SITE SPECIFIC DOCUMENTS FOR USE WITH THIS DOCUMENT IN NON-HVHZ AREAS.
5. APPROVED IMPACT PROTECTIVE SYSTEM **IS REQUIRED** FOR THIS PRODUCT.
6. FRAME & MULLION MATERIAL: PVC OR WOOD
7. CLADDING MATERIAL: FIBERGLASS

TABLE OF CONTENTS	
SHEET #	DESCRIPTION
1	General notes
2	Typical elevations, design pressures
3	Typical elevations, design pressures
4	Typical elevations, design pressures
5	Typical elevations, design pressures
6	Door panel construction details
7	Door panel construction details
8	Door panel construction details
9	Sidelite panel construction details
10	Sidelite panel construction details
11	Sidelite panel construction details
12	Horizontal cross sections
13	Horizontal cross sections
14	Horizontal cross sections
15	Vertical cross sections
16	Vertical cross sections
17	Vertical & Horizontal cross sections
18	Horizontal cross sections
19	Buck & Frame anchoring
20	Buck anchoring
21	Frame anchoring
22	Frame anchoring
23	Frame anchoring
24	Frame anchoring
25	Buck anchoring
26	Frame anchoring
27	Buck anchoring
28	Frame anchoring
29	Components
30	Components
31	Components
32	Bill of materials

 TITLE: GLAZED FIBERGLASS DOOR
 NON-IMP. INSWING/OUTSWING

GENERAL NOTES

PREPARED BY:

 BUILDING DROPS, INC.
 398 E. DANIA BEACH BLVD. #338
 DANIA BEACH, FL 33004

PH: (954) 399-8478 FX: (954) 744-4738

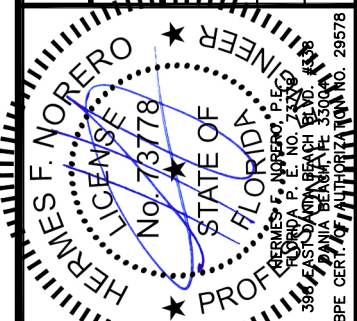
REVISIONS

DESCRIPTION

NO.

BY

DATE


 DATE:
07.14.16

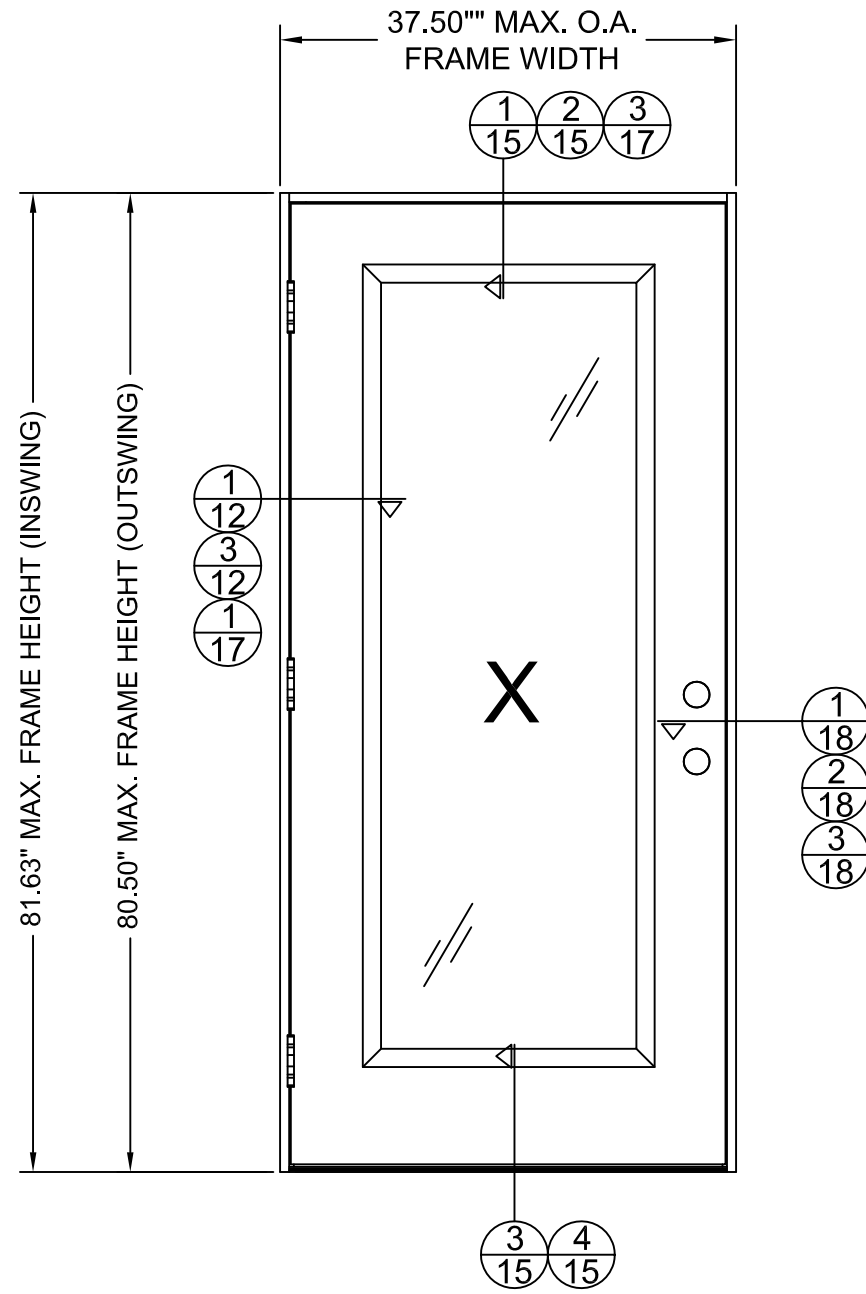
 DWN BY:
LS

 CHK BY:
HFN

 SCALE:
NTS

 DWG #:
FL-20867.3

 SHEET: **1 OF 32**



MAX. FRAME DIMENSION	JAMB TYPE	DESIGN PRESSURE (PSF) LIP LITE		DESIGN PRESSURE (PSF) FLUSHGLAZED/MAHOGANY	
		POSITIVE	NEGATIVE	POSITIVE	NEGATIVE
37.50" X 81.63"	WOOD	+47.0	-47.0	+70.0	-70.0
	PVC	+47.0	-47.0	+60.0	-60.0

TITLE: GLAZED FIBERGLASS DOOR
NON-IMP. INSWING/OUTSWING

TYPICAL ELEVATION AND
DESIGN PRESSURE

PREPARED BY:
BUILDING DROPS, INC.
398 E. DANIA BEACH BLVD. #338
DANIA BEACH, FL 33004
PH: (954) 399-8478 FX: (954) 744-4738

REVISIONS		NO.	DESCRIPTION	BY	DATE



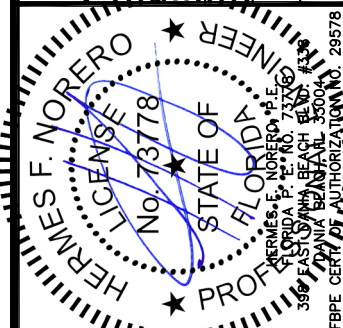
DATE: 07.14.16
DWN BY: LS
CHK BY: HFN
SCALE: NTS

DWG #:
FL-20867.3

SHEET: **2 OF 32**

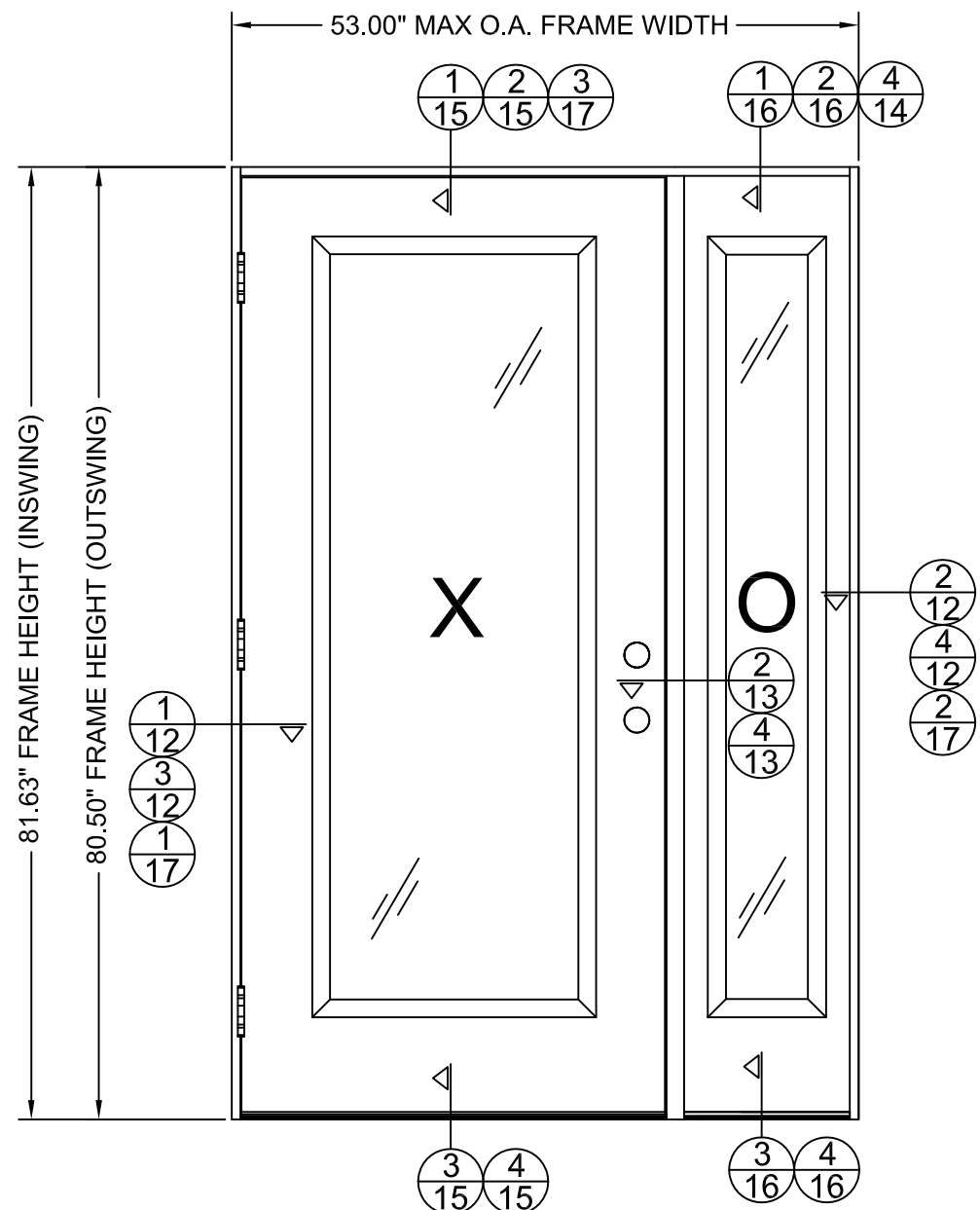
TITLE: GLAZED FIBERGLASS DOOR
NON-IMP. INSWING/OUTSWING
TYPICAL ELEVATION AND DESIGN PRESSURE
PREPARED BY:
BUILDING DROPS, INC.
398 E. DANIA BEACH BLVD. #338
DANIA BEACH, FL 33004
PH: (954) 399-8478 FX: (954) 744-4738

REVISIONS		NO.	DESCRIPTION	BY	DATE

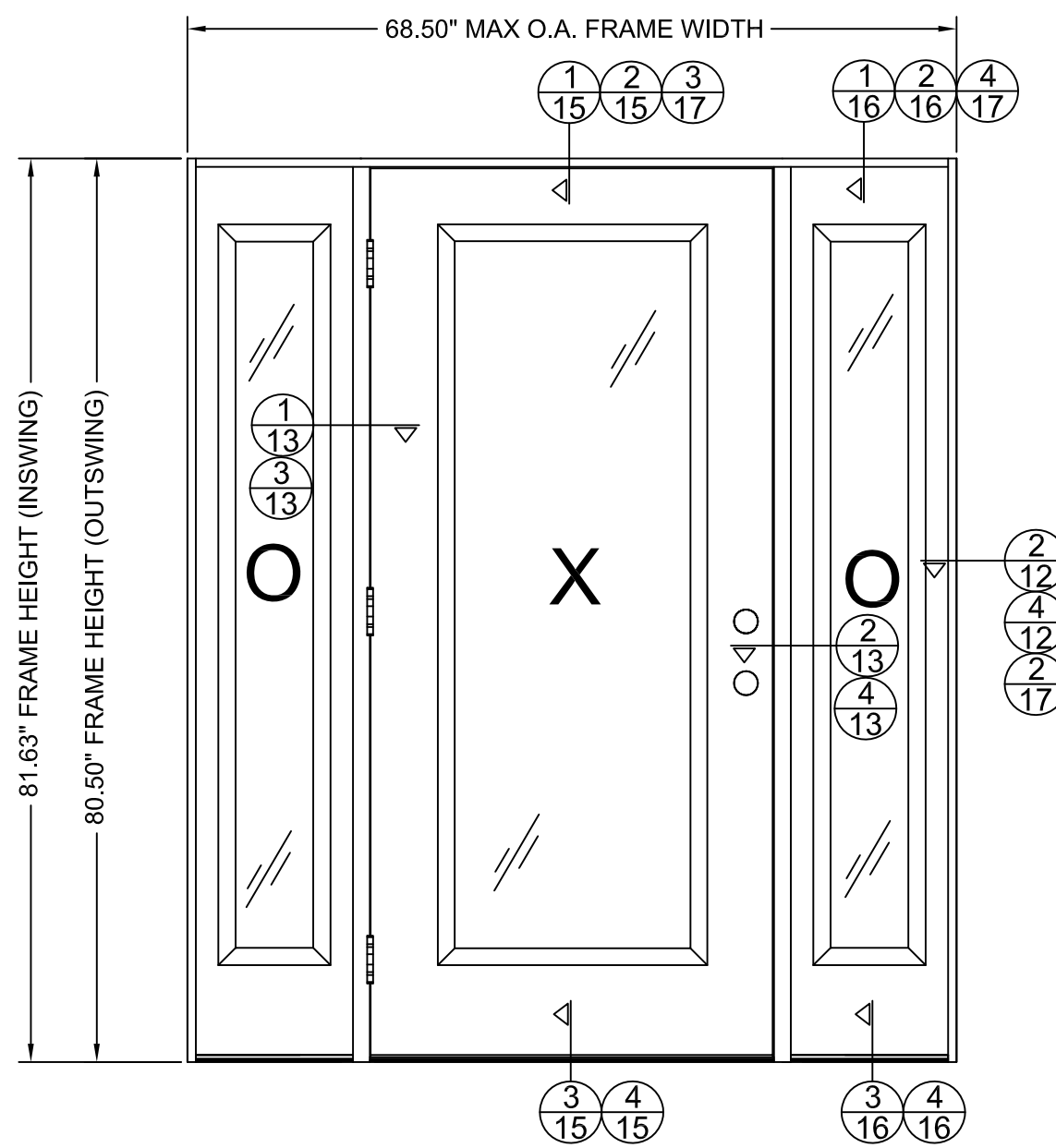


DATE: 07.14.16
DWN BY: LS
CHK BY: HFN
SCALE: NTS

DWG #:
FL-20867.3
SHEET: **3 OF 32**

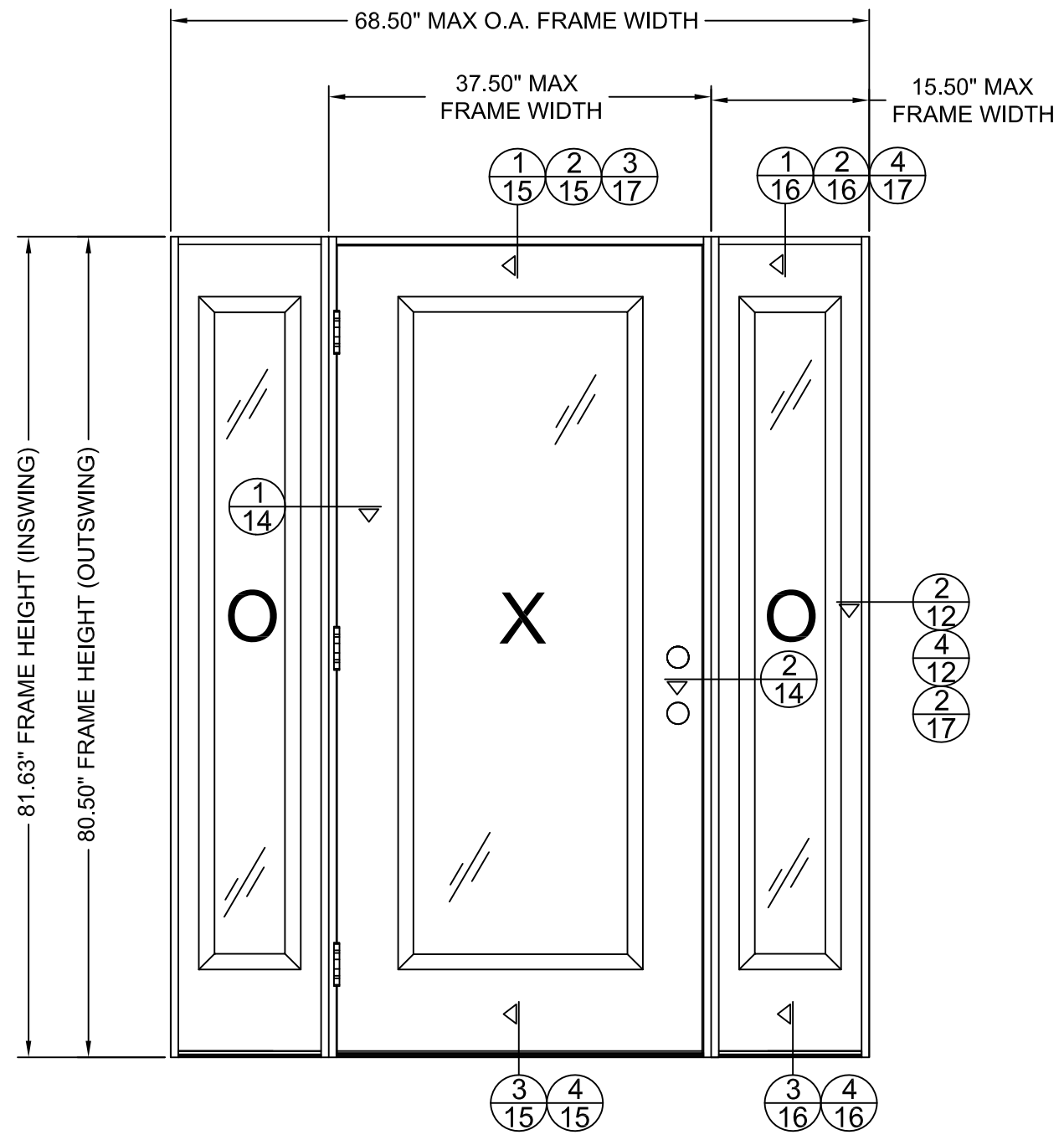
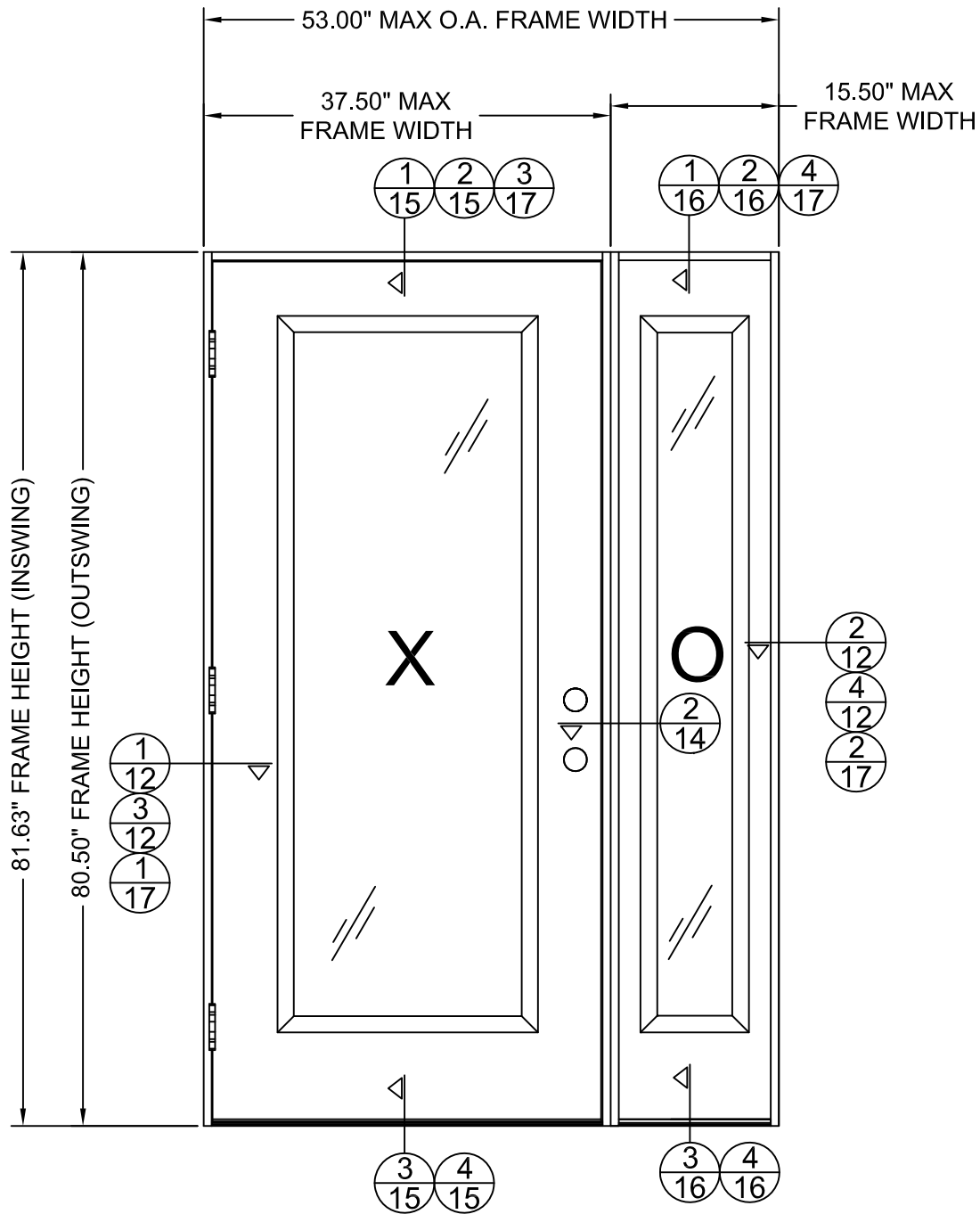


CONTINUOUS HEADER AND SILL



CONTINUOUS HEADER AND SILL

CONFIGURATION	MAX. FRAME DIMENSION	JAMB & MULLION TYPE	DESIGN PRESSURE (PSF) LIPL ITE		DESIGN PRESSURE (PSF) FLUSHGLAZED/MAHOGANY	
			POSITIVE	NEGATIVE	POSITIVE	NEGATIVE
OX/XO	53.00" X 81.63"	WOOD	+47.0	-47.0	+60.0	-60.0
		PVC	+47.0	-47.0	+55.0	-55.0
OXO	68.50" X 81.63"	WOOD	+47.0	-47.0	+60.0	-60.0
		PVC	+47.0	-47.0	+55.0	-55.0



CONFIGURATION	MAX. FRAME DIMENSION	JAMB & MULLION TYPE	DESIGN PRESSURE (PSF) LIPL ITE		DESIGN PRESSURE (PSF) FLUSHGLAZED/MAHOGANY	
			POSITIVE	NEGATIVE	POSITIVE	NEGATIVE
OX/XO	53.00" X 81.63"	WOOD	+47.0	-47.0	+55.0	-55.0
		PVC	+47.0	-47.0	+55.0	-55.0
OXO	68.50" X 81.63"	WOOD	+47.0	-47.0	+55.0	-55.0
		PVC	+47.0	-47.0	+55.0	-55.0

TITLE: GLAZED FIBERGLASS DOOR
NON-IMP. INSWING/OUTSWING

TYPICAL ELEVATION AND
DESIGN PRESSURE

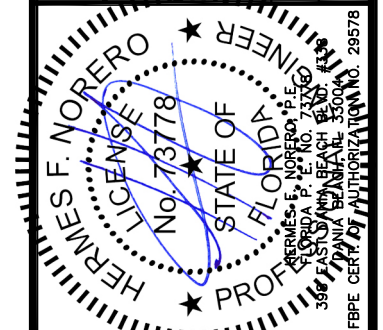
PREPARED BY:

BUILDING DROPS, INC.
398 E. DANIA BEACH BLVD. #338
DANIA BEACH, FL 33004

PH: (954) 399-8478 FX: (954) 744-4738

REVISIONS

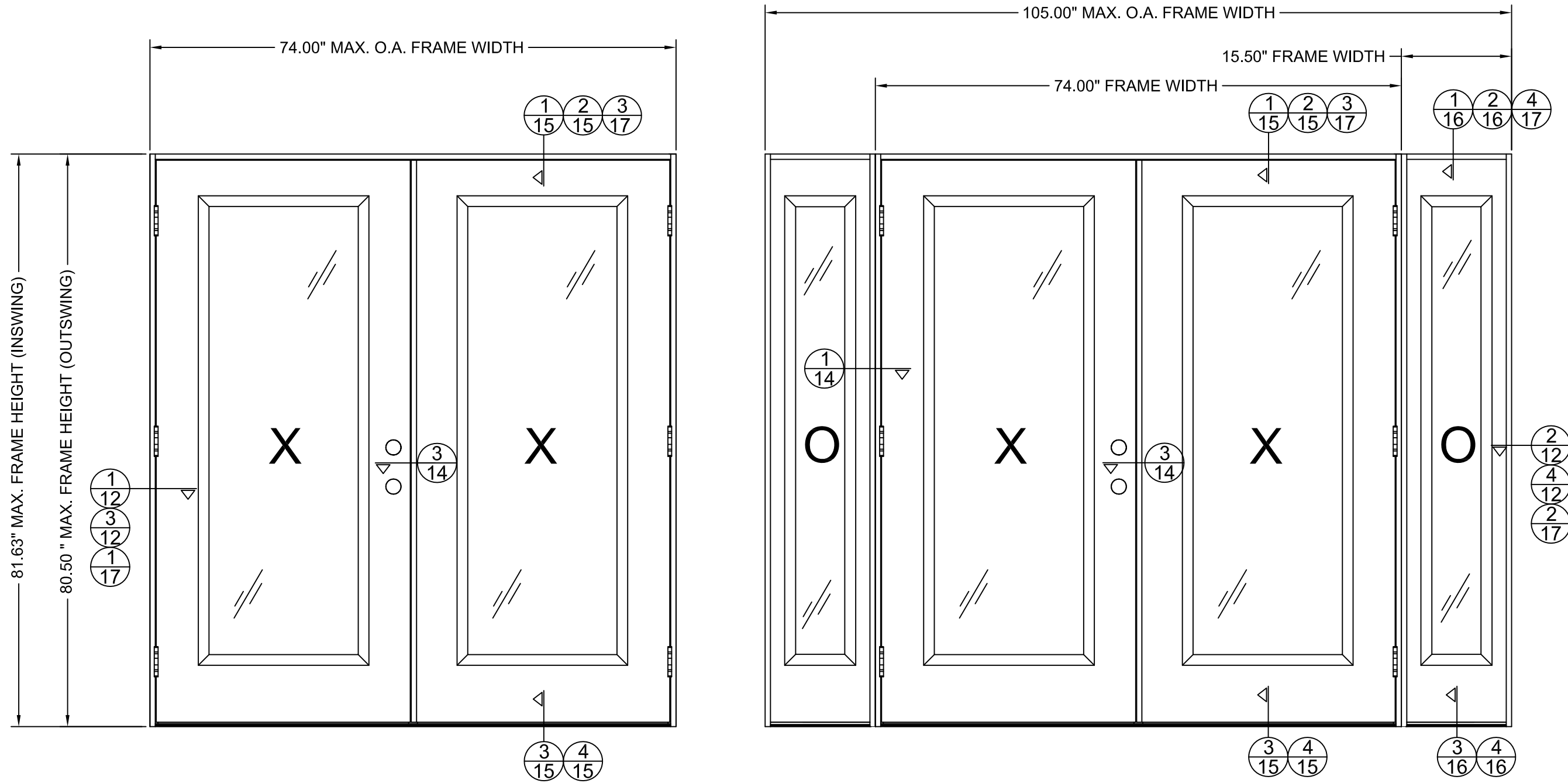
NO.	DESCRIPTION	BY DATE	
		BY	DATE



DATE: 07.14.16
DWN BY: LS
CHK BY: HFN
SCALE: NTS

DWG #: FL-20867.3

SHEET: 4 OF 32



CONFIGURATION	MAX. FRAME DIMENSION	DESIGN PRESSURE (PSF) ALUMINUM ASTRAGAL		DESIGN PRESSURE (PSF) PVC ASTRAGAL	
		POSITIVE	NEGATIVE	POSITIVE	NEGATIVE
XX	74.00" X 81.63"	+55.0	-55.0	+47.0	-47.0
OXXO	105.00" X 81.63"	+55.0	-55.0	+47.0	-47.0

TITLE: GLAZED FIBERGLASS DOOR
NON-IMP. INSWING/OUTSWING

TYPICAL ELEVATION AND
DESIGN PRESSURE

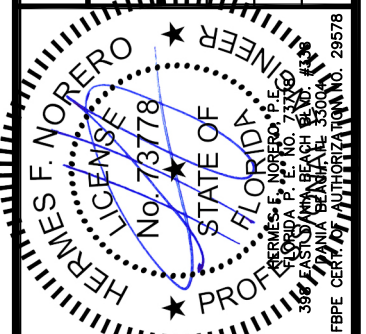
PREPARED BY:

BUILDING DROPS, INC.
398 E. DANIA BEACH BLVD. #338
DANIA BEACH, FL 33004

PH: (954) 399-8478 FX: (954) 744-4738

REVISIONS

NO.	DESCRIPTION	BY	DATE



DATE: 07.14.16
DWN BY: LS
CHK BY: HFN
SCALE: NTS

DWG #: **FL-20867.3**

SHEET: **5 OF 32**

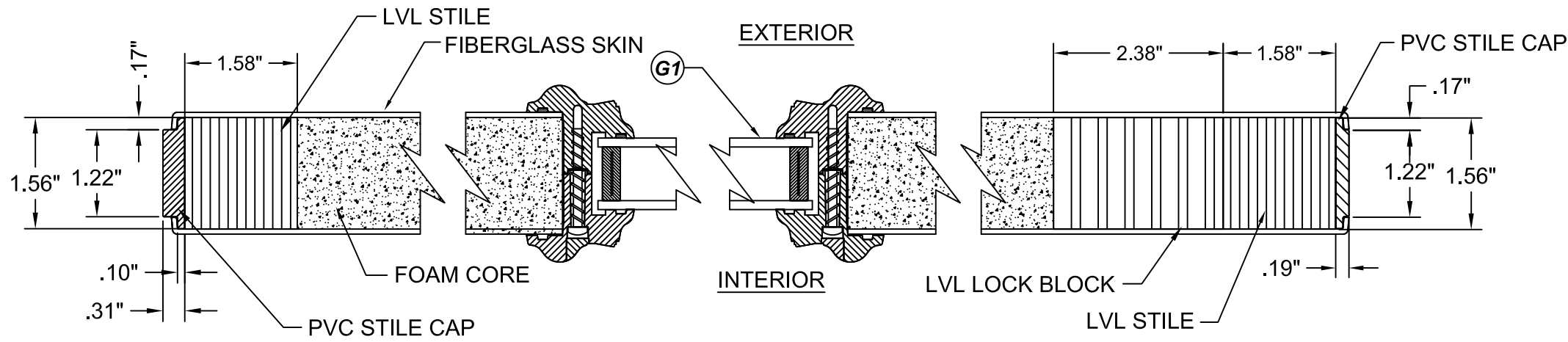
TITLE: GLAZED FIBERGLASS DOOR
NON-IMP. INSWING/OUTSWING

DOOR PANEL
CONSTRUCTION DETAILS

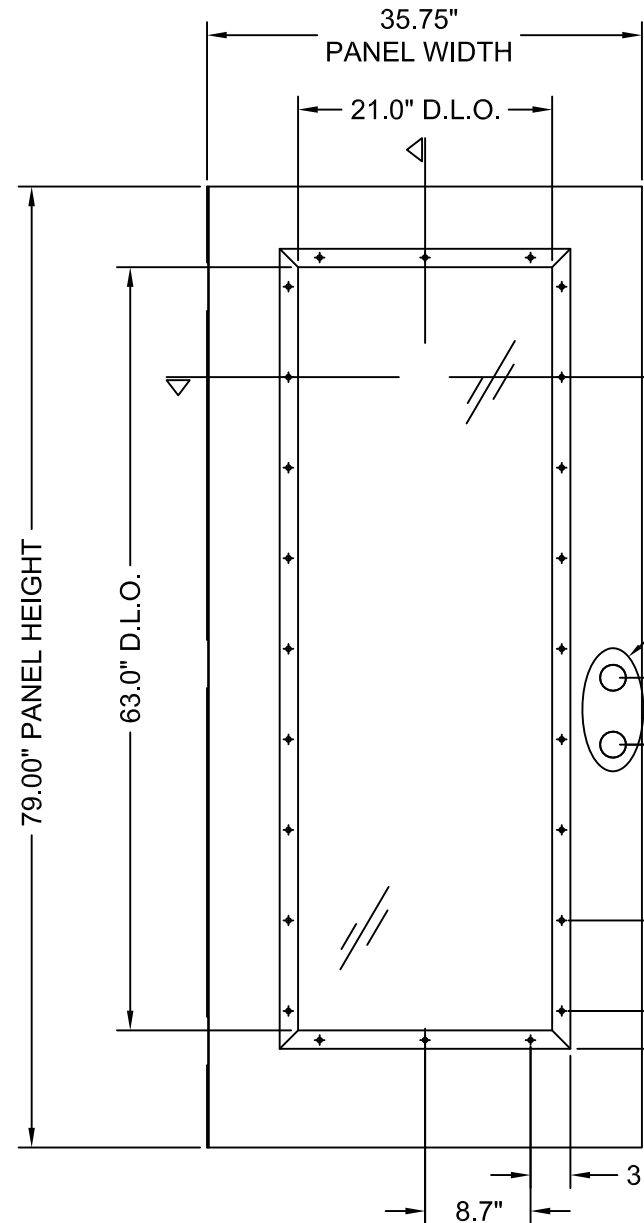
PREPARED BY:

BUILDING DROPS, INC.
398 E. DANIA BEACH BLVD. #338
DANIA BEACH, FL 33004

PH: (954) 399-8478 FX: (954) 744-4738

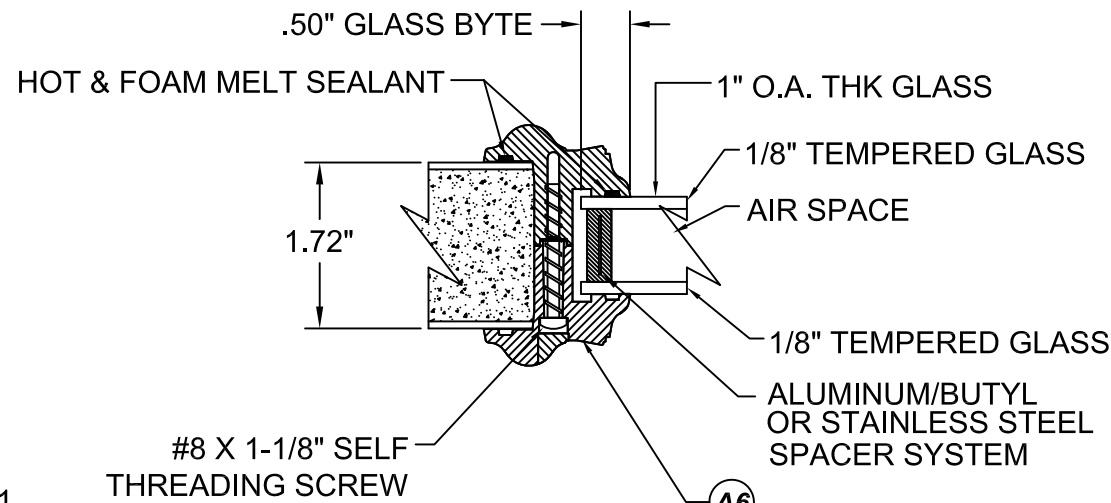


1
6 HORIZONTAL CROSS SECTION

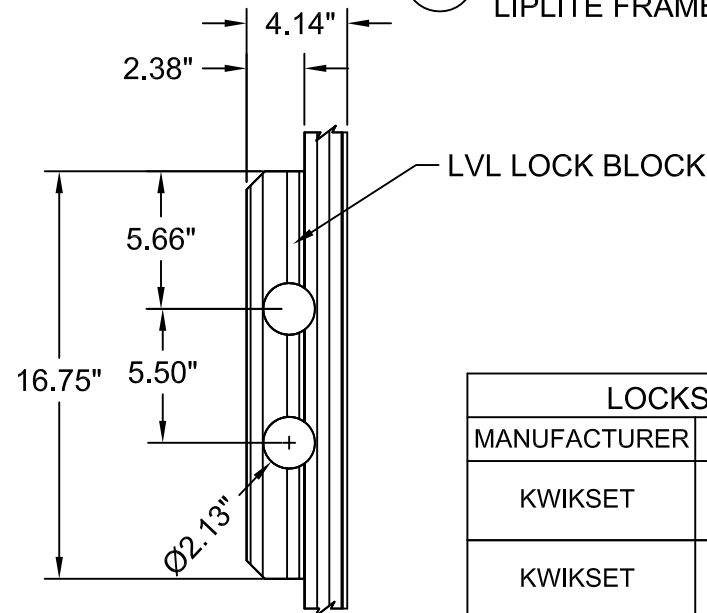


11 GLAZED DOOR
LIP LITE

FIBERGLASS SKIN: 0.079" THICK MIN.
FOAM CORE: POLYURETHANE

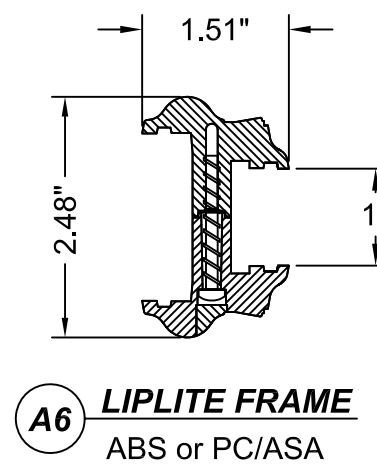


G1 GLAZING DETAIL
LIPLITE FRAME

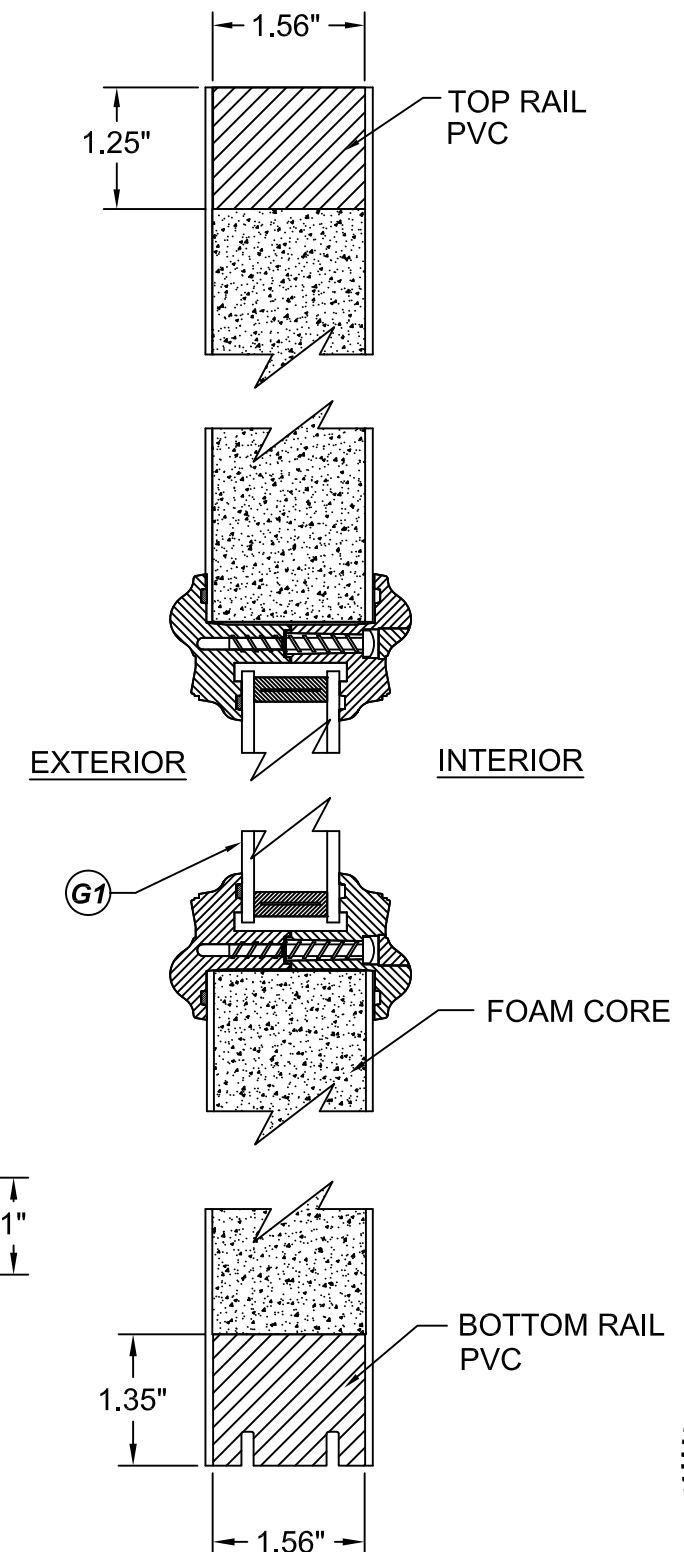


DETAIL 1

LOCKSET HARDWARE	
MANUFACTURER	MODEL
KWIKSET	LOCK & DEADBOLT COMBO SIGNATURE SERIES 991
KWIKSET	LOCK & DEADBOLT COMBO SIGNATURE SERIES 980
SCHLAGE	LOCK: F-SERIES DEADBOLT: B60 SERIES



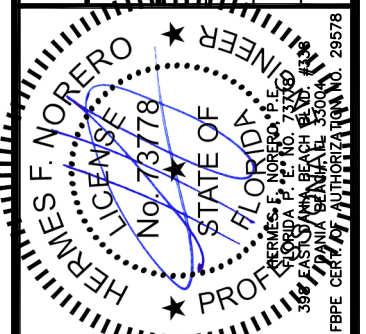
A6 LIPLITE FRAME
ABS or PC/ASA



2
6 VERTICAL CROSS SECTION

REVISIONS

NO.	DESCRIPTION	BY	DATE



DATE:	07.14.16
DWN BY:	LS
CHK BY:	HFN
SCALE:	NTS

DWG #: **FL-20867.3**

SHEET: **6 OF 32**

TITLE: GLAZED FIBERGLASS DOOR
NON-IMP. INSWING/OUTSWING

DOOR PANEL
CONSTRUCTION DETAILS

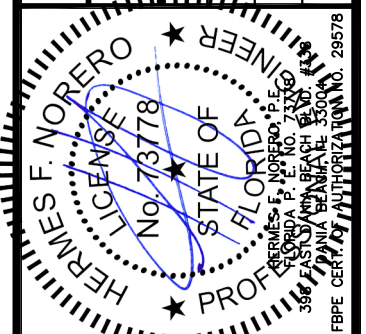
PREPARED BY:

BUILDING DROPS, INC.
398 E. DANIA BEACH BLVD. #338
DANIA BEACH, FL 33004

PH: (954) 399-8478 FX: (954) 744-4738

REVISIONS

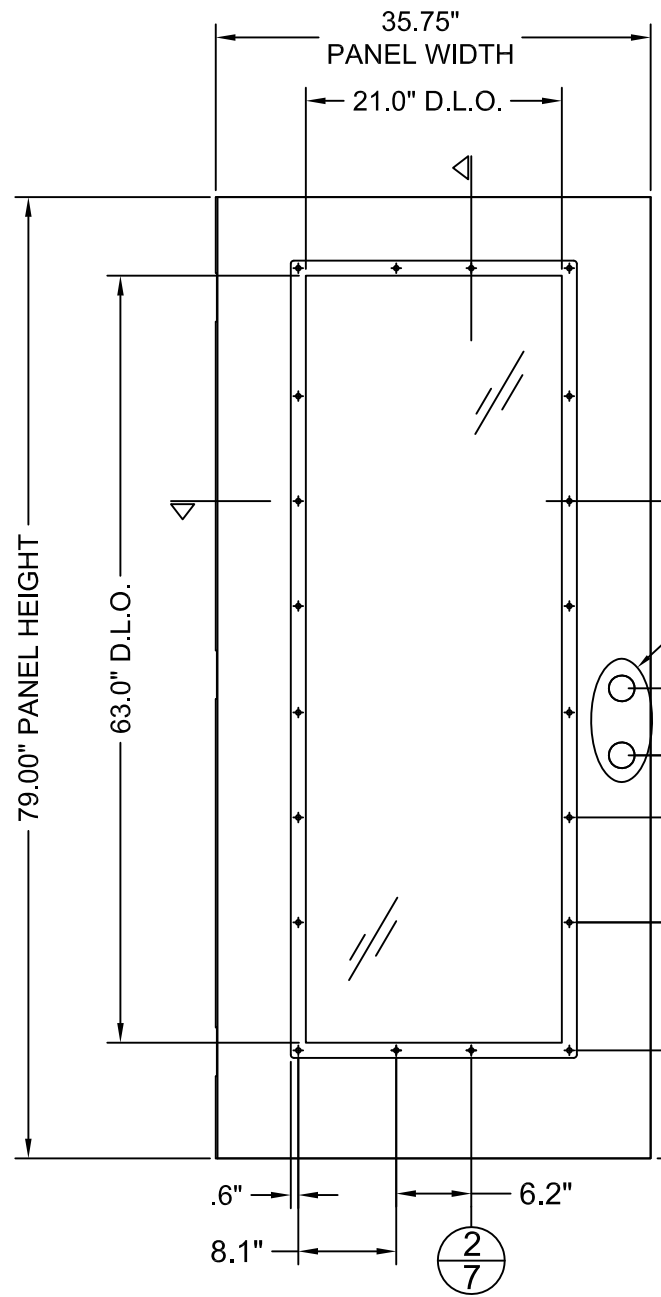
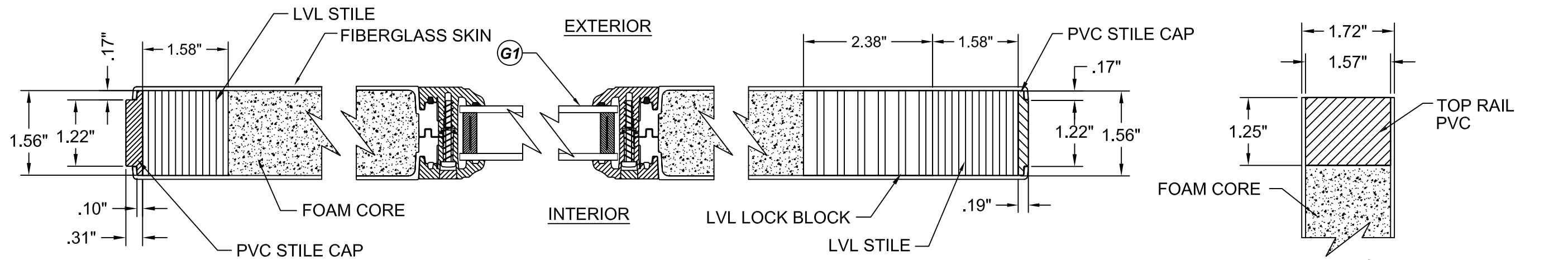
NO.	DESCRIPTION	BY	DATE



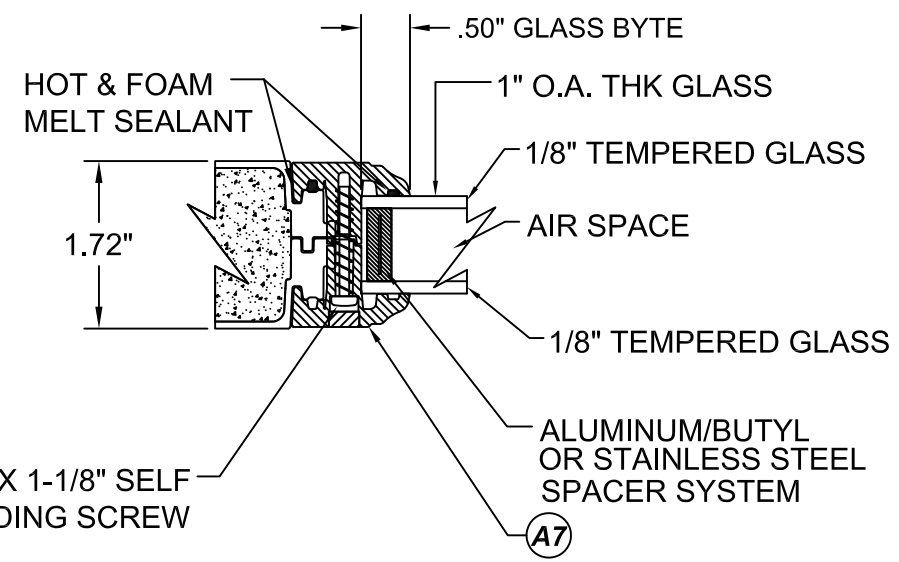
DATE:	07.14.16
DWN BY:	LS
CHK BY:	HFN
SCALE:	NTS

DWG #: **FL-20867.3**

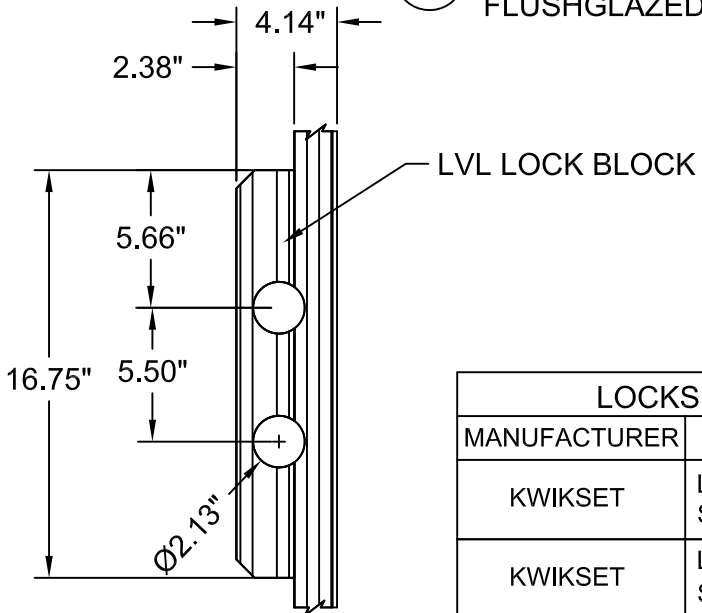
SHEET: **7 OF 32**



1/7 HORIZONTAL CROSS SECTION



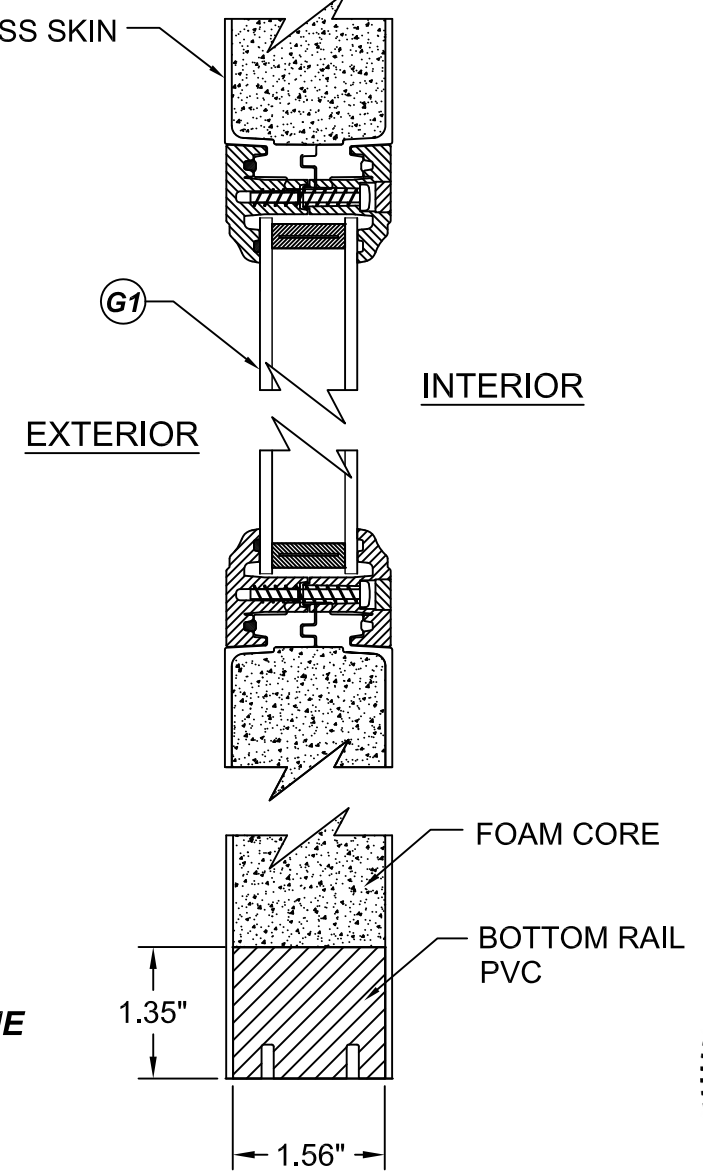
**G1 GLAZING DETAIL
FLUSHGLAZED FRAME**



DETAIL 1

LOCKSET HARDWARE	
MANUFACTURER	MODEL
KWIKSET	LOCK & DEADBOLT COMBO SIGNATURE SERIES 991
KWIKSET	LOCK & DEADBOLT COMBO SIGNATURE SERIES 980
SCHLAGE	LOCK: F-SERIES DEADBOLT: B60 SERIES

**A7 FLUSHGLAZED FRAME
ABS or PC/ASA**



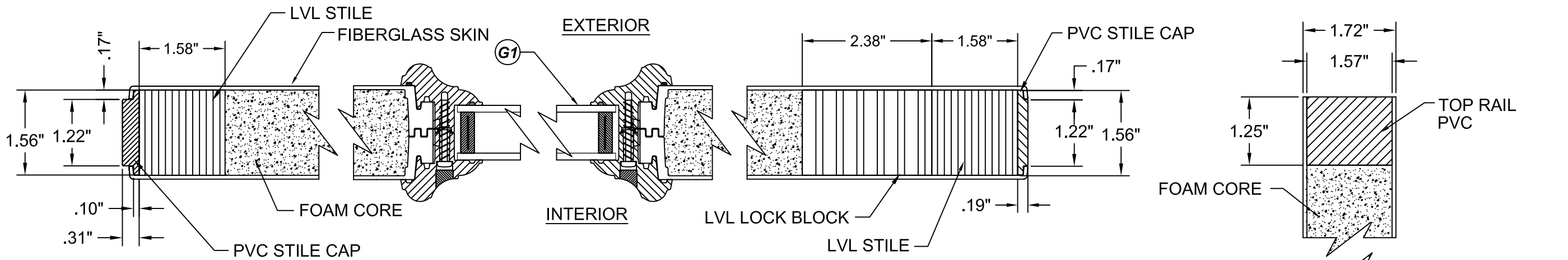
2/7 VERTICAL CROSS SECTION

**11 GLAZED DOOR
FLUSHGLAZED**
FIBERGLASS SKIN: 0.079" THICK MIN.
FOAM CORE: POLYURETHANE

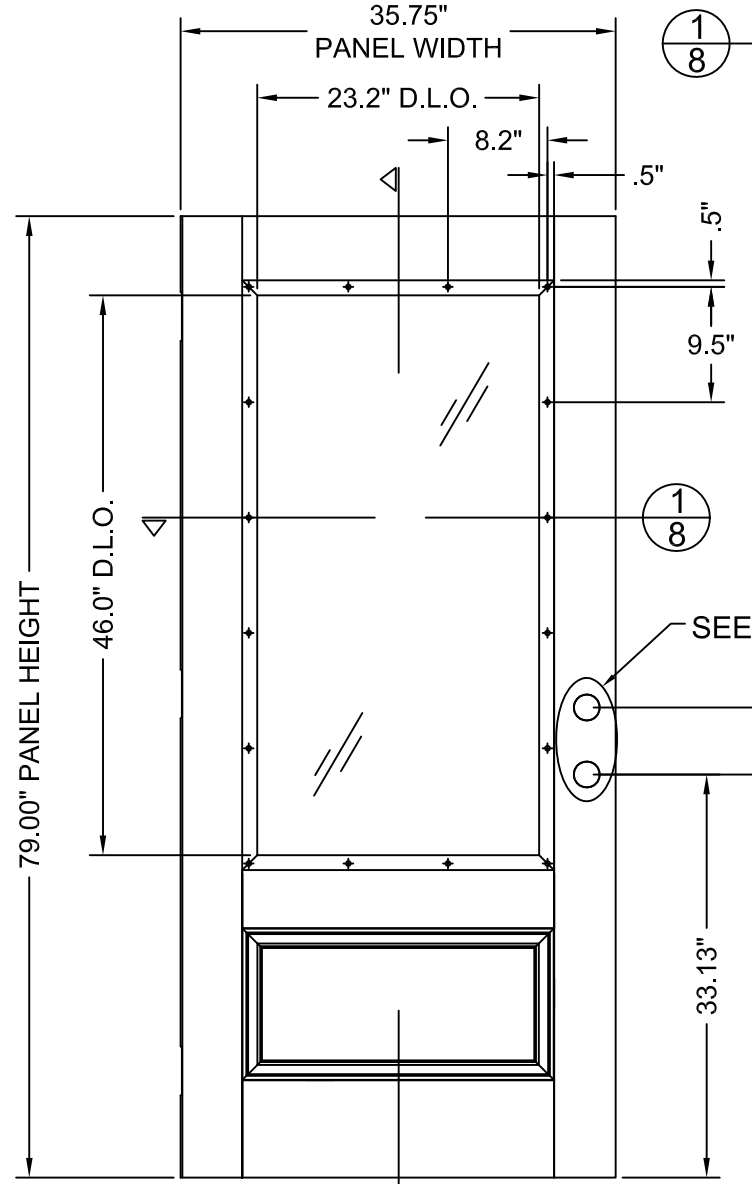
TITLE: GLAZED FIBERGLASS DOOR
NON-IMP. INSWING/OUTSWING

DOOR PANEL CONSTRUCTION DETAILS

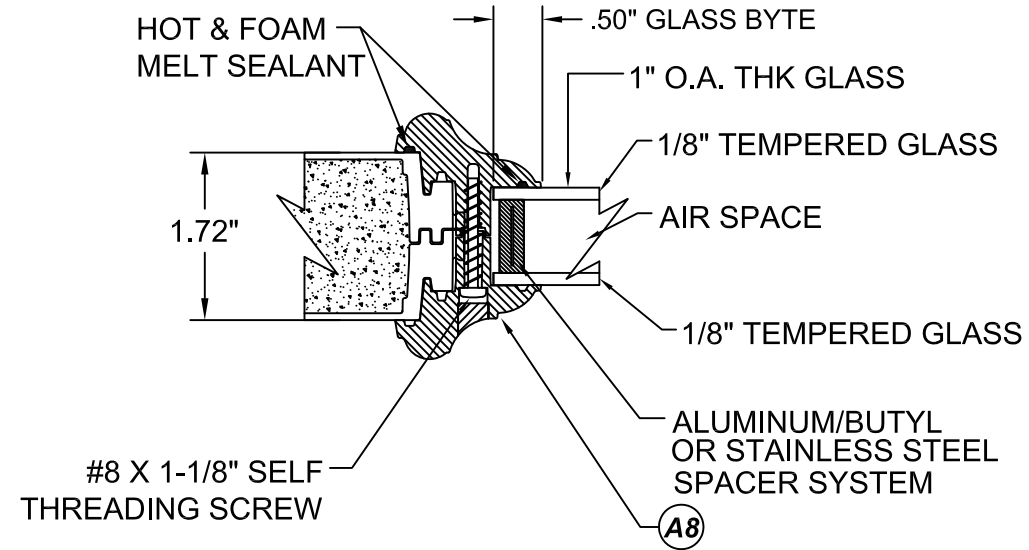
PREPARED BY:
BUILDING DROPS, INC.
398 E. DANIA BEACH BLVD. #338
DANIA BEACH, FL 33004
PH: (954) 399-8478 FX: (954) 744-4738



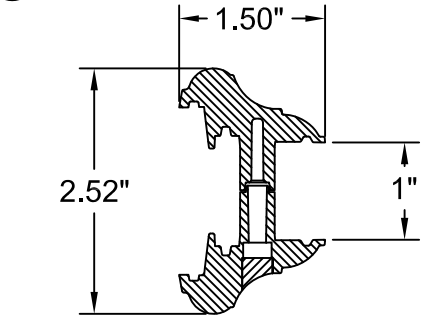
1/8 HORIZONTAL CROSS SECTION



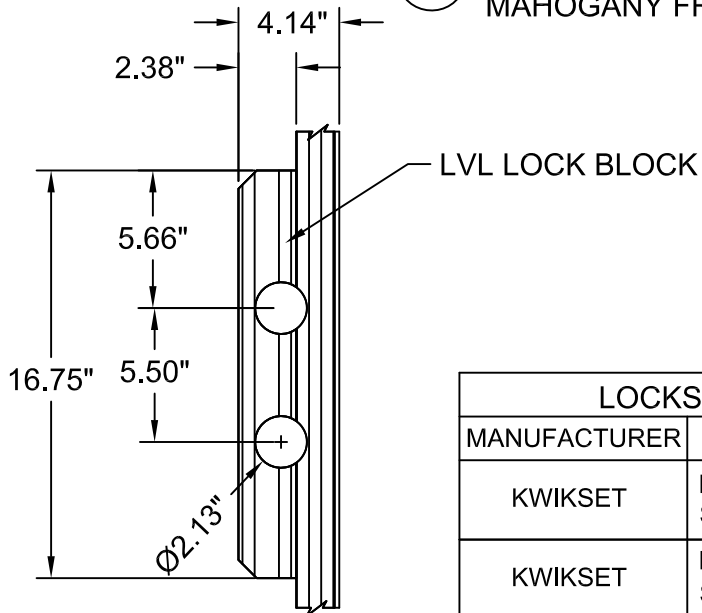
1/8



G1 GLAZING DETAIL MAHOGANY FRAME

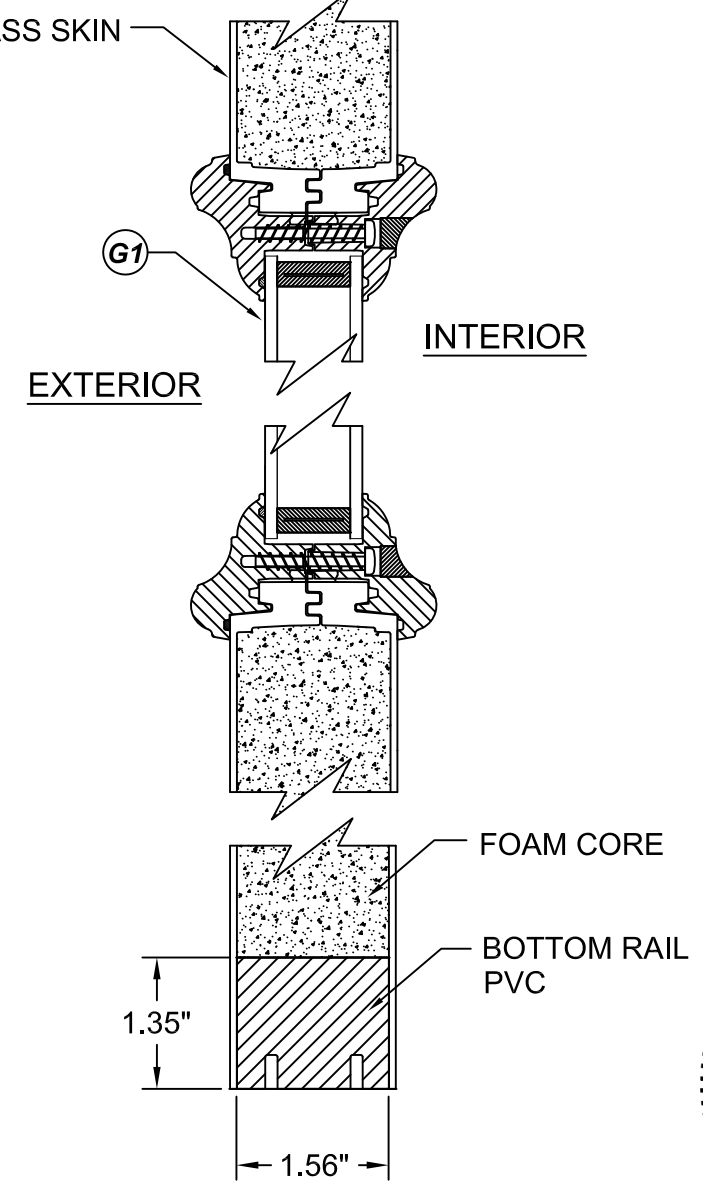


A8 MAHOGANY FRAME ABS or PC/ASA



DETAIL 1

LOCKSET HARDWARE	
MANUFACTURER	MODEL
KWIKSET	LOCK & DEADBOLT COMBO SIGNATURE SERIES 991
KWIKSET	LOCK & DEADBOLT COMBO SIGNATURE SERIES 980
SCHLAGE	LOCK: F-SERIES DEADBOLT: B60 SERIES



2/8 VERTICAL CROSS SECTION

11 GLAZED DOOR MAHOGANY

FIBERGLASS SKIN: 0.079" THICK MIN.
FOAM CORE: POLYURETHANE

REVISIONS

NO.	DESCRIPTION	BY	DATE



DATE: 07.14.16
DWN BY: LS
CHK BY: HFN
SCALE: NTS

DWG #: **FL-20867.3**
SHEET: **8 OF 32**

TITLE: GLAZED FIBERGLASS DOOR
NON-IMP. INSWING/OUTSWING

SIDELITE PANEL
CONSTRUCTION DETAILS

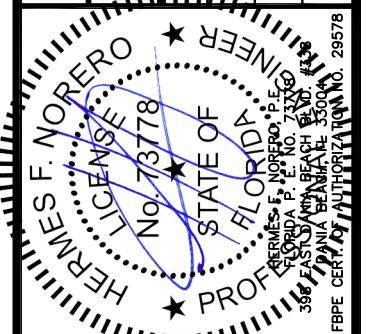
PREPARED BY:

BUILDING DROPS, INC.
398 E. DANIA BEACH BLVD. #338
DANIA BEACH, FL 33004

PH: (954) 399-8478 FX: (954) 744-4738

REVISIONS

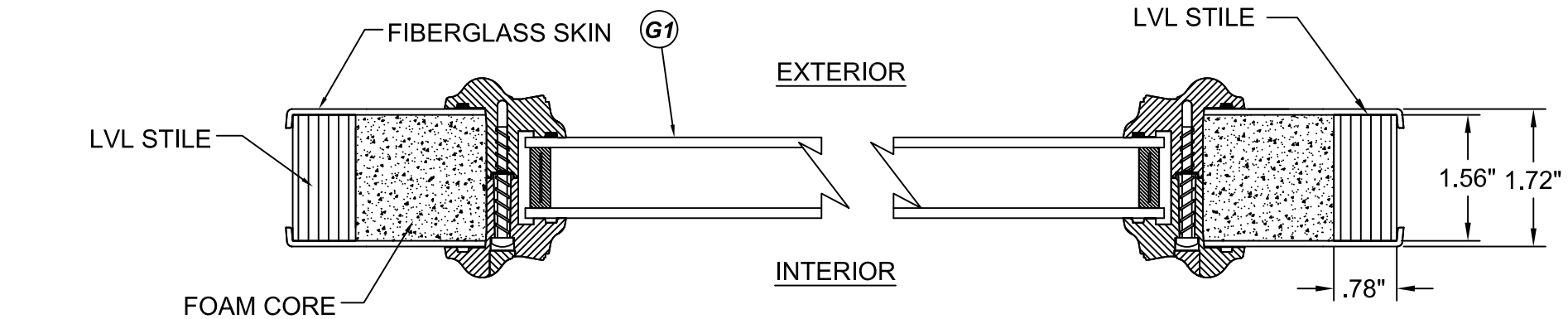
NO.	DESCRIPTION	BY	DATE



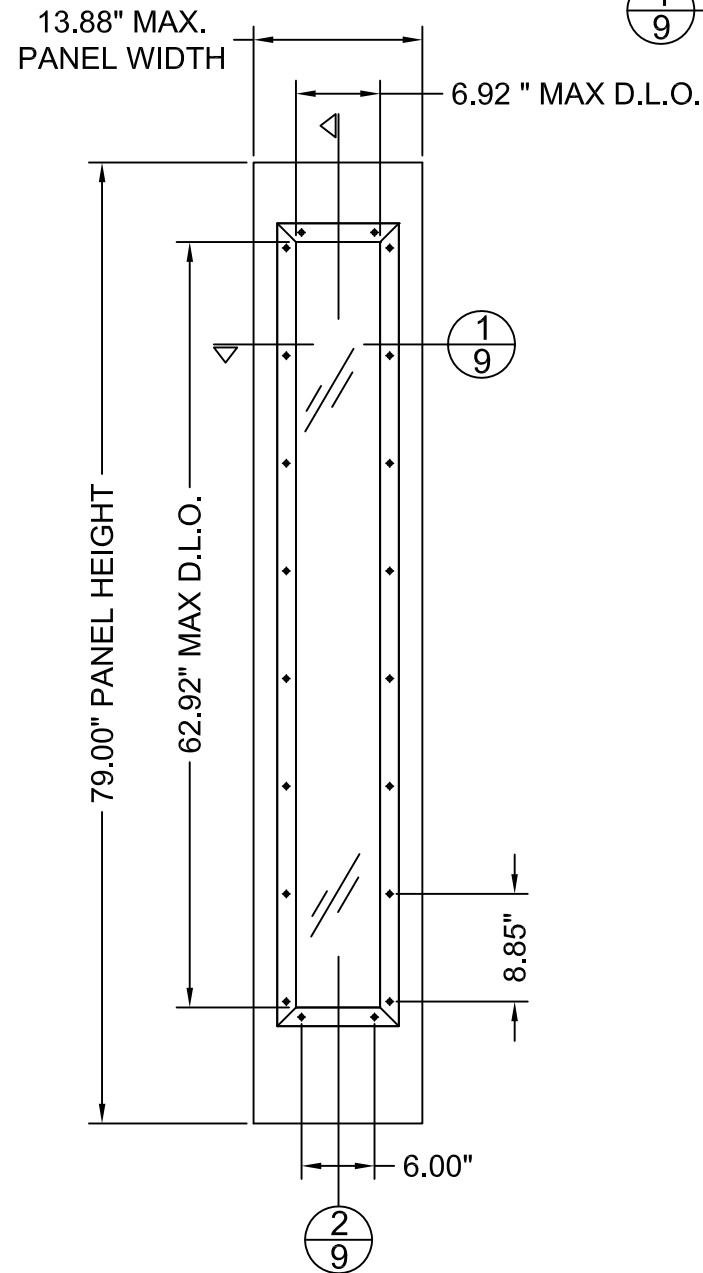
DATE:	07.14.16
DWN BY:	LS
CHK BY:	HFN
SCALE:	NTS

DWG #: **FL-20867.3**

SHEET: **9 OF 32**

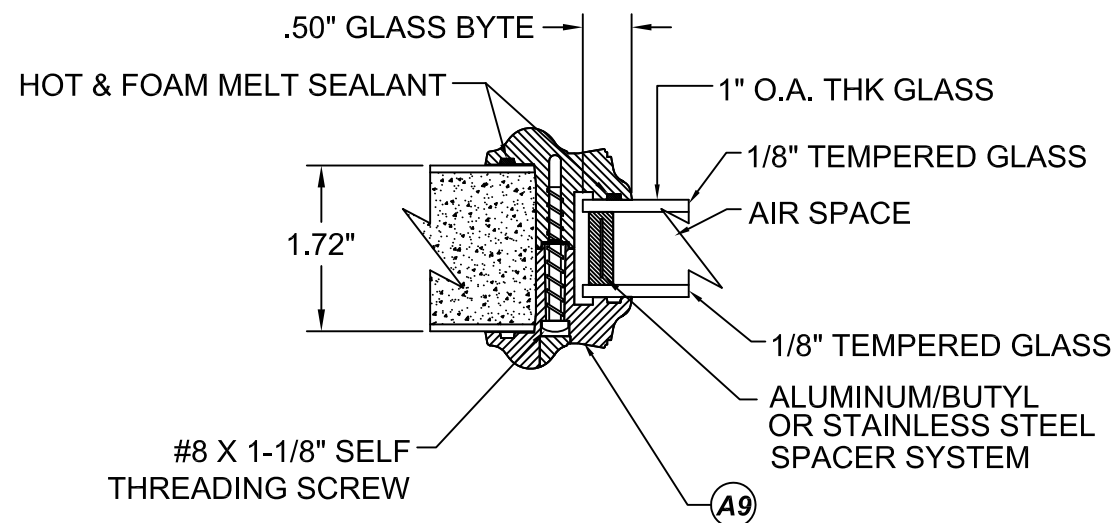


1
9 **HORIZONTAL CROSS SECTION**

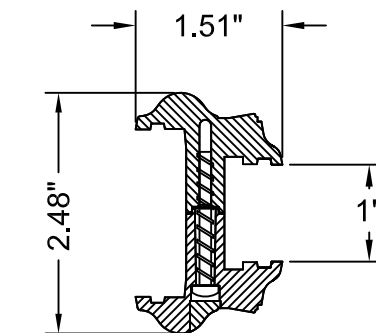


12A **SIDELITE PANEL**
LIPLITE FRAME

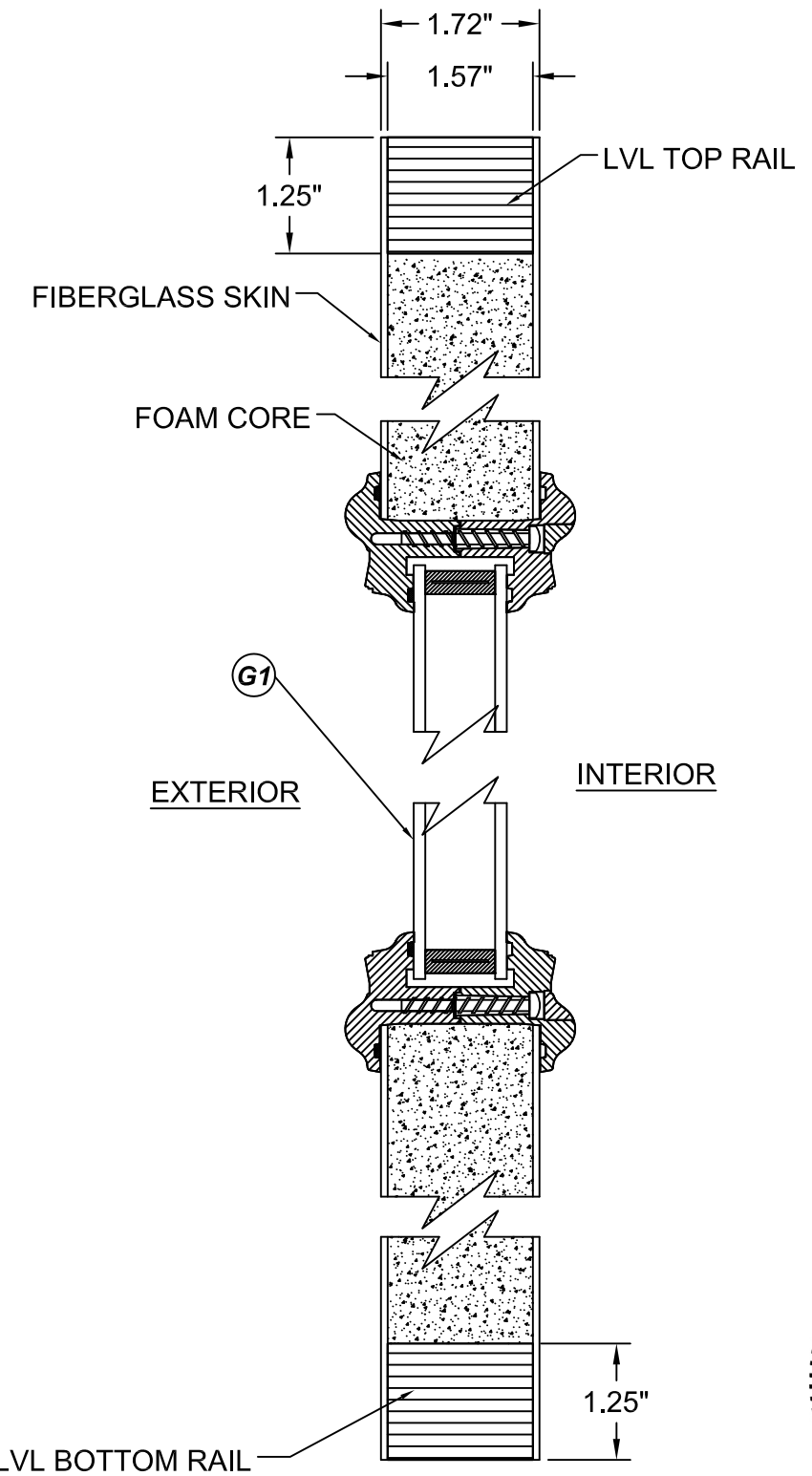
FIBERGLASS SKIN: 0.079" THICK MIN.
FOAM CORE: POLYURETHANE



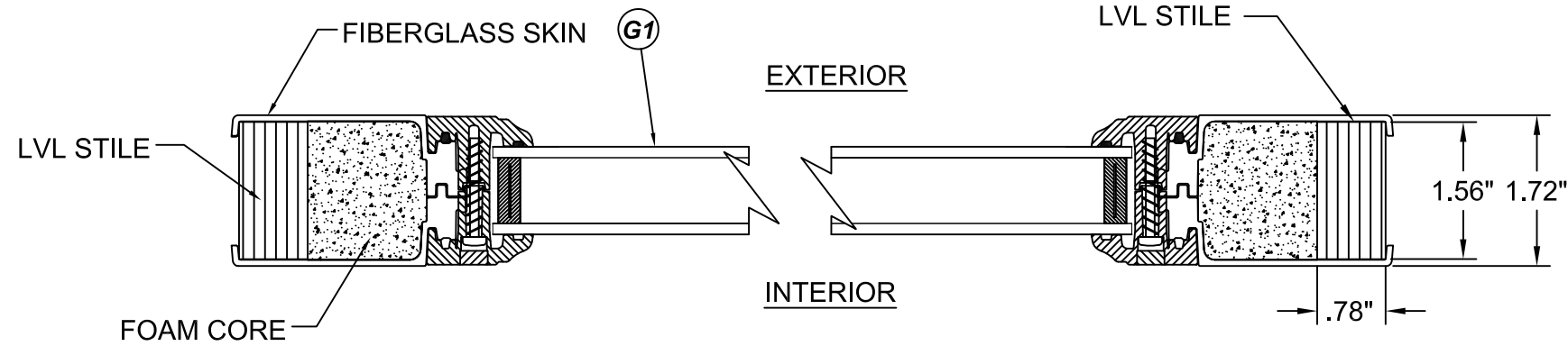
G1 **GLAZING DETAIL**
LIPLITE FRAME



A9 **LIPLITE FRAME**
ABS or PC/ASA

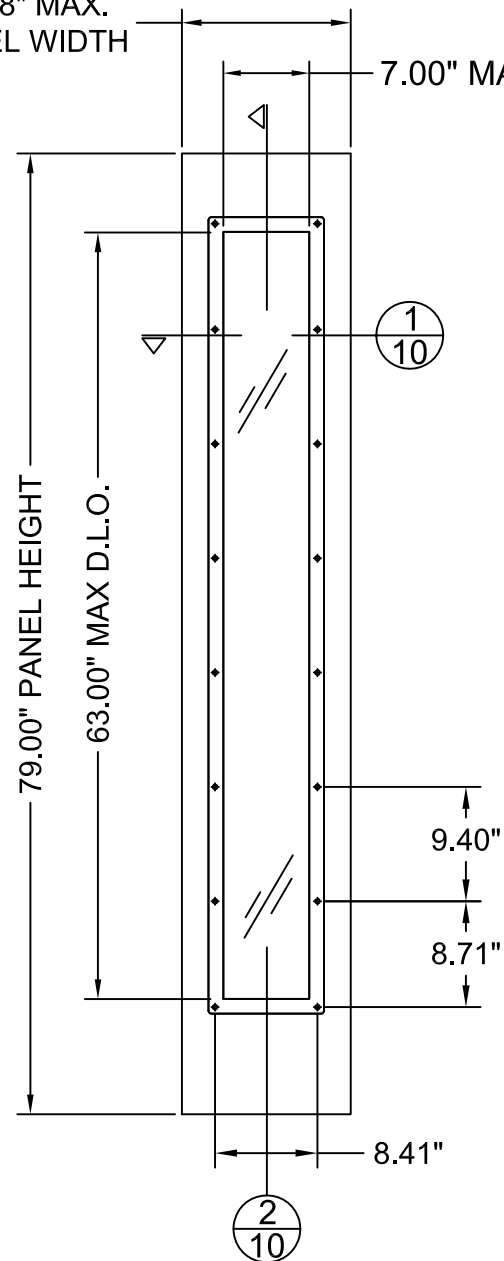


2
9 **VERTICAL CROSS SECTION**



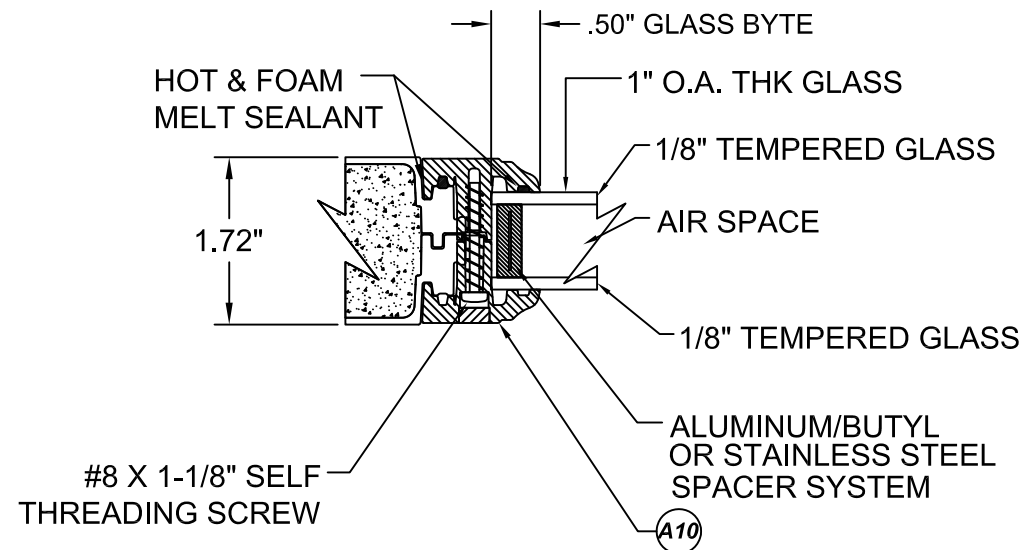
1
10 HORIZONTAL CROSS SECTION

13.88" MAX. PANEL WIDTH
7.00" MAX D.L.O.

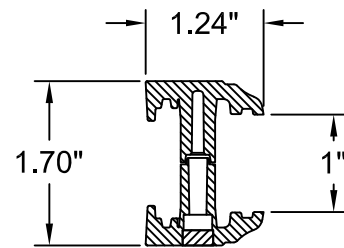


12B SIDELITE PANEL
FLUSHGLAZED FRAME

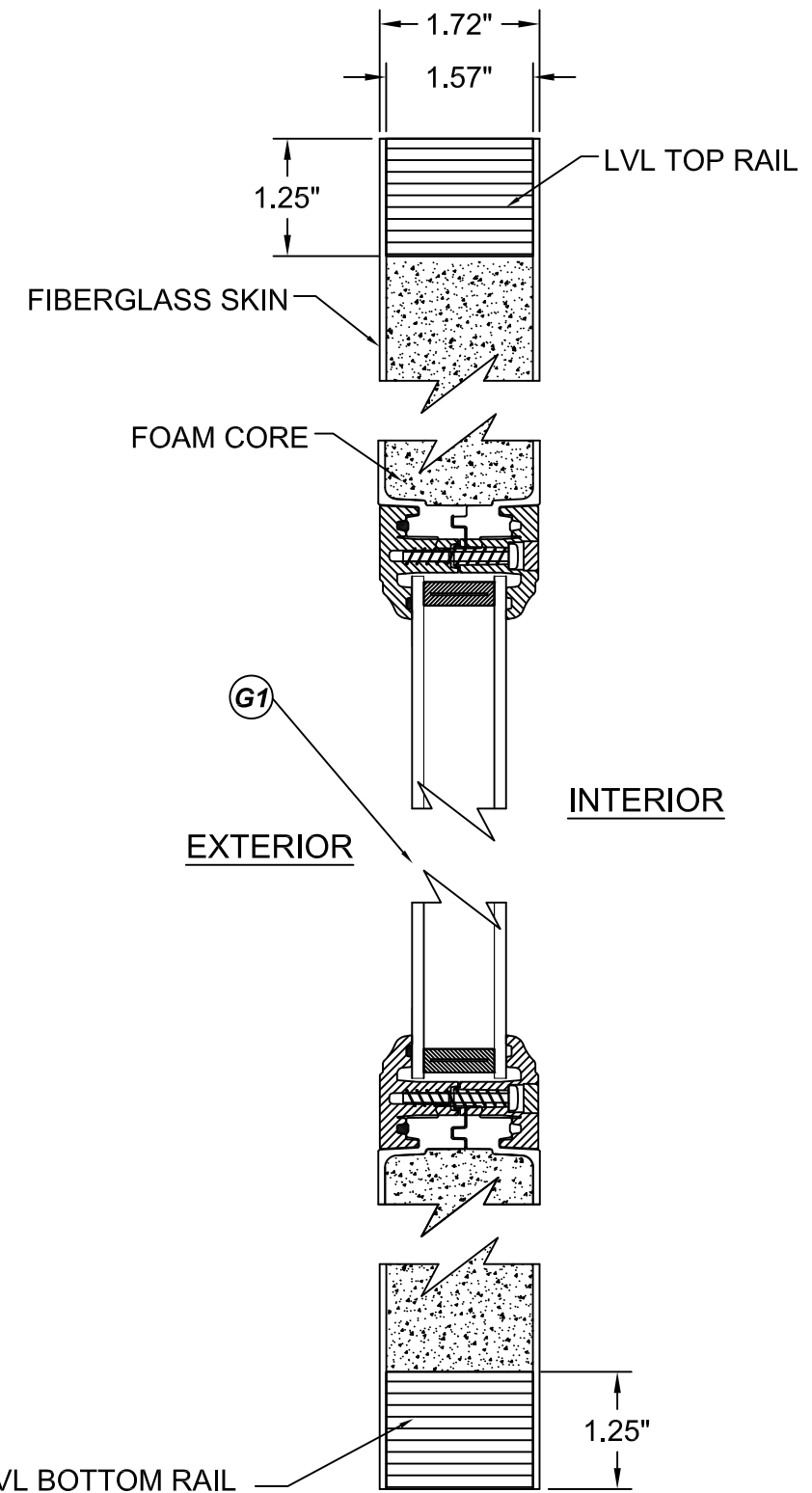
FIBERGLASS SKIN: 0.079" THICK MIN.
FOAM CORE: POLYURETHANE



G1 GLAZING DETAIL
FLUSHGLAZED FRAME



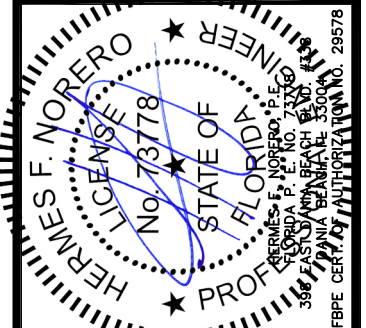
A10 FLUSH GLAZED FRAME
ABS or PC/ASA



2
10 VERTICAL CROSS SECTION

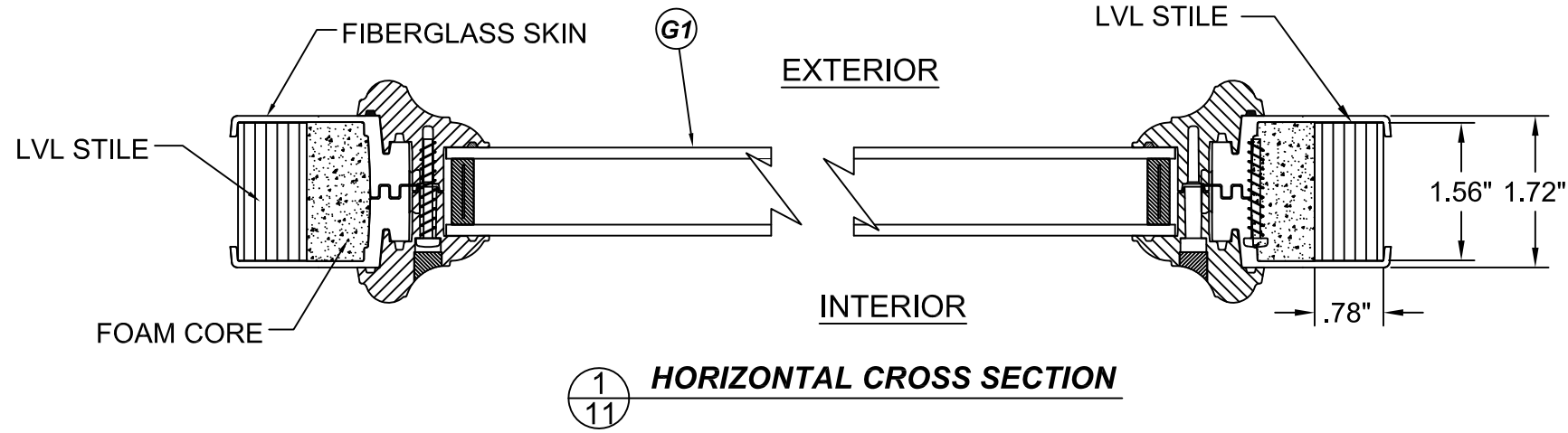
TITLE: GLAZED FIBERGLASS DOOR
NON-IMP. INSWING/OUTSWING
SIDELITE PANEL
CONSTRUCTION DETAILS
PREPARED BY:
BUILDING DROPS, INC.
398 E. DANIA BEACH BLVD. #338
DANIA BEACH, FL 33004
PH: (954) 399-8478 FX: (954) 744-4738

NO.	DESCRIPTION	REVISIONS	
		BY	DATE

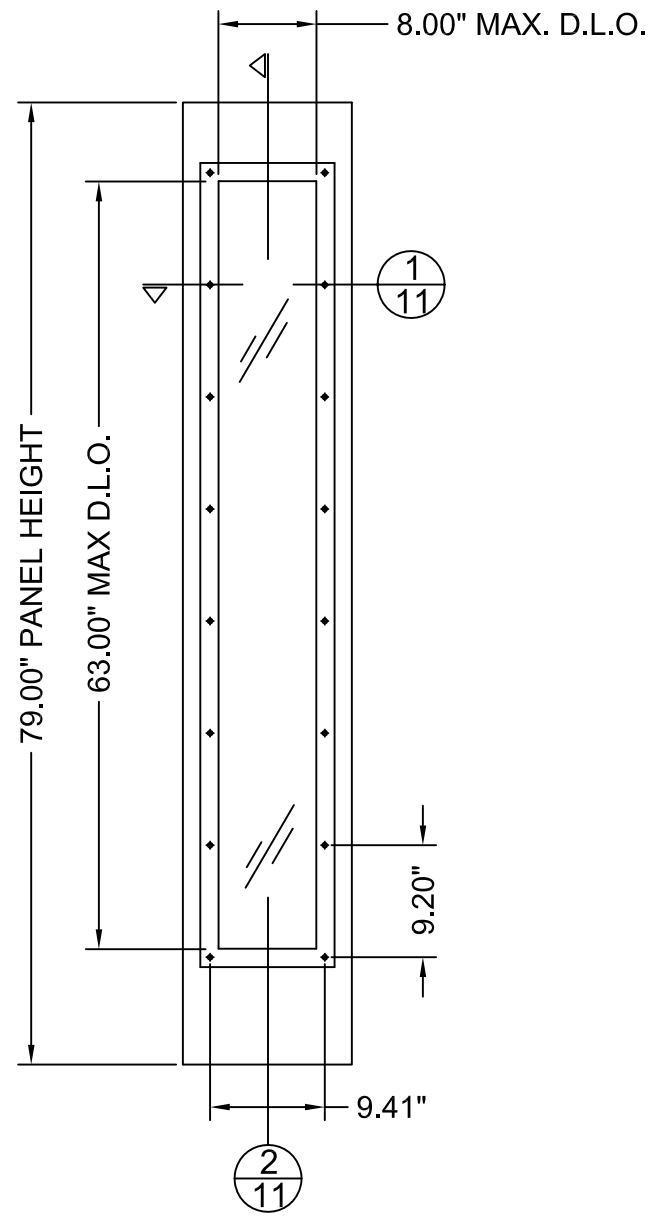


DATE: 07.14.16
DWN BY: LS
CHK BY: HFN
SCALE: NTS

DWG #: **FL-20867.3**
SHEET: **10 OF 32**

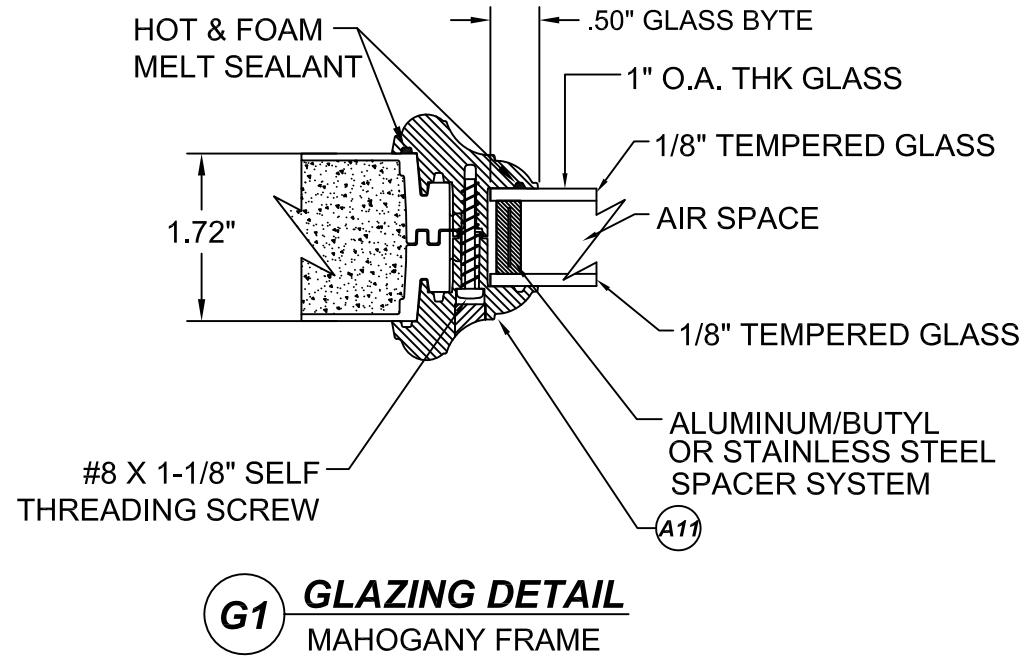


1
11 **HORIZONTAL CROSS SECTION**



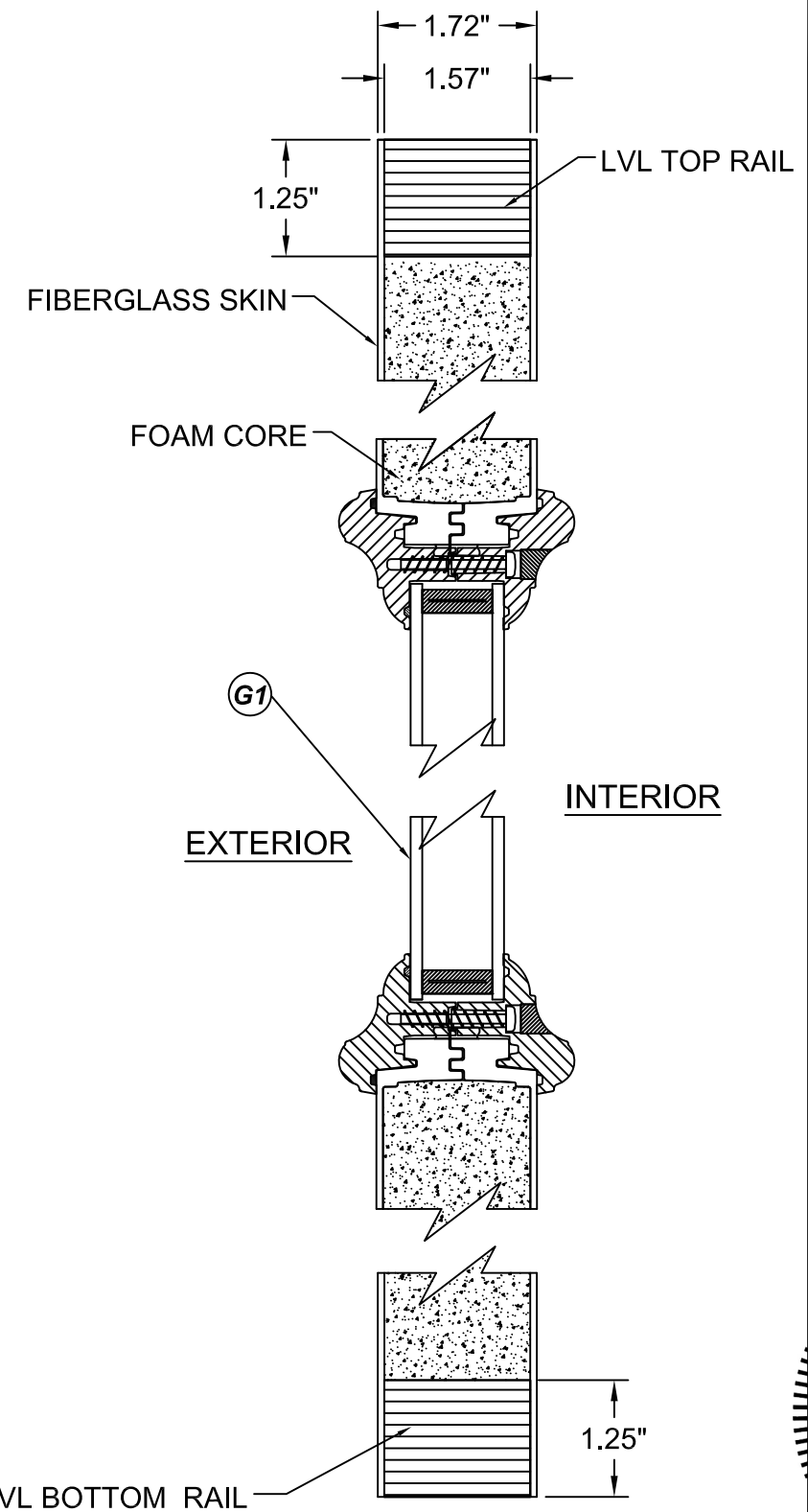
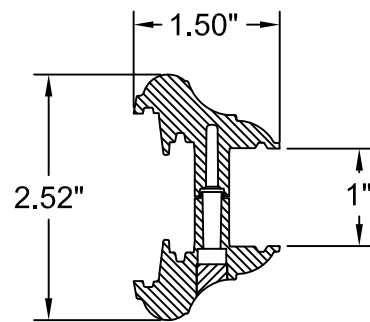
12C **SIDELITE PANEL**
MAHOGANY FRAME

FIBERGLASS SKIN: 0.079\"/>



G1 **GLAZING DETAIL**
MAHOGANY FRAME

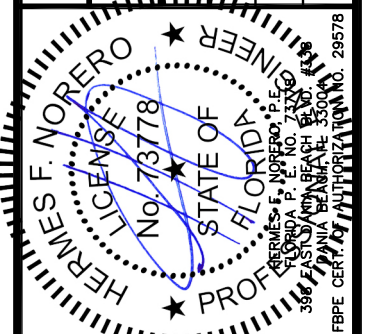
A11 **MAHOGANY FRAME**
ABS or PC/ASA



2
11 **VERTICAL CROSS SECTION**

TITLE: GLAZED FIBERGLASS DOOR
NON-IMP. INSWING/OUTSWING
SIDELITE PANEL
CONSTRUCTION DETAILS
PREPARED BY:
BUILDING DROPS, INC.
398 E. DANIA BEACH BLVD. #338
DANIA BEACH, FL 33004
PH: (954) 399-8478 FX: (954) 744-4738

NO.	DESCRIPTION	BY	DATE



DATE: 07.14.16
DWN BY: LS
CHK BY: HFN
SCALE: NTS

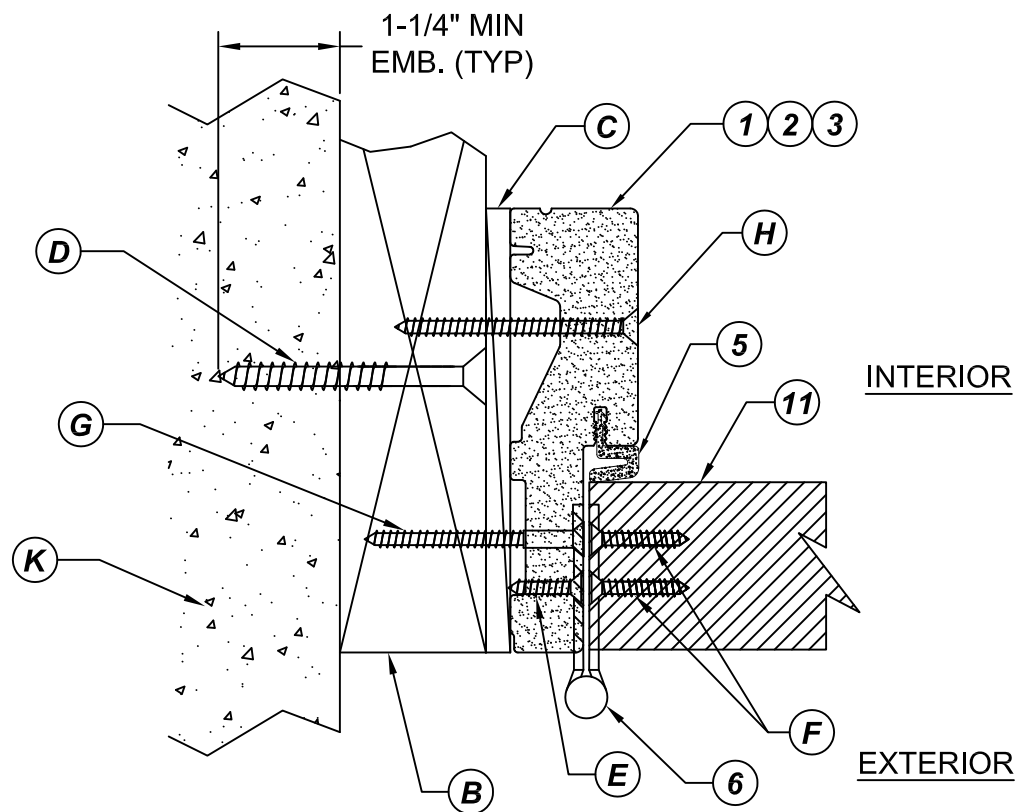
DWG #:
FL-20867.3

SHEET: **11 OF 32**

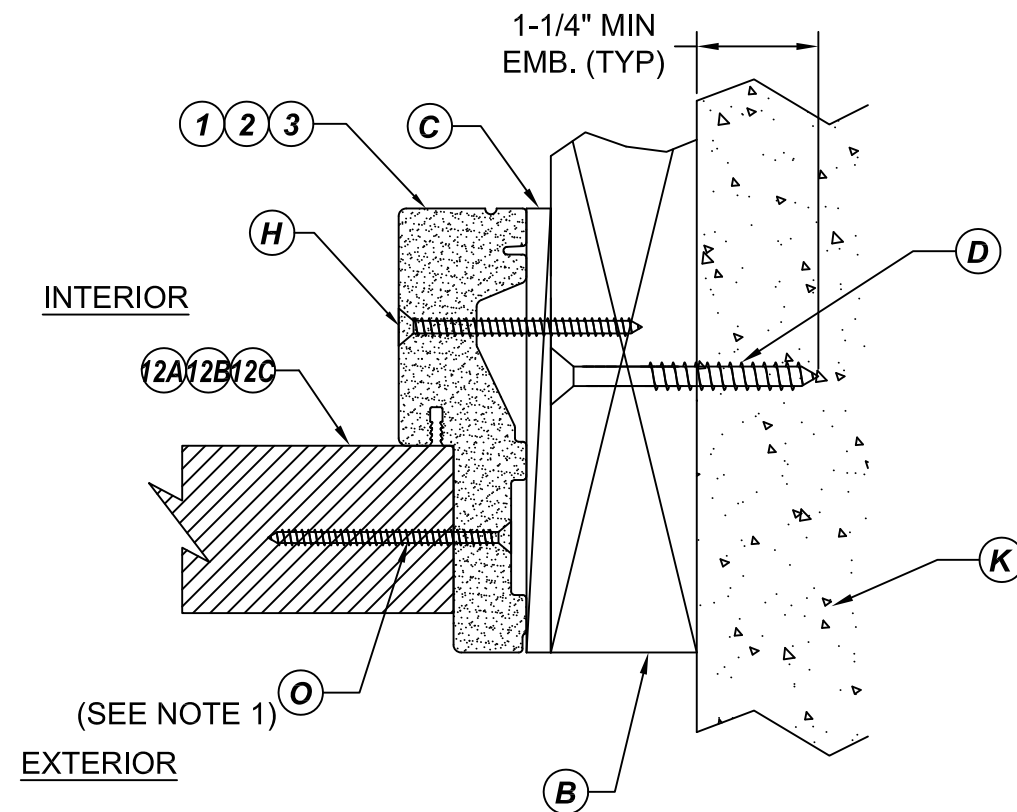
TITLE: GLAZED FIBERGLASS DOOR
NON-IMP. INSWING/OUTSWING

HORIZONTAL
CROSS SECTIONS

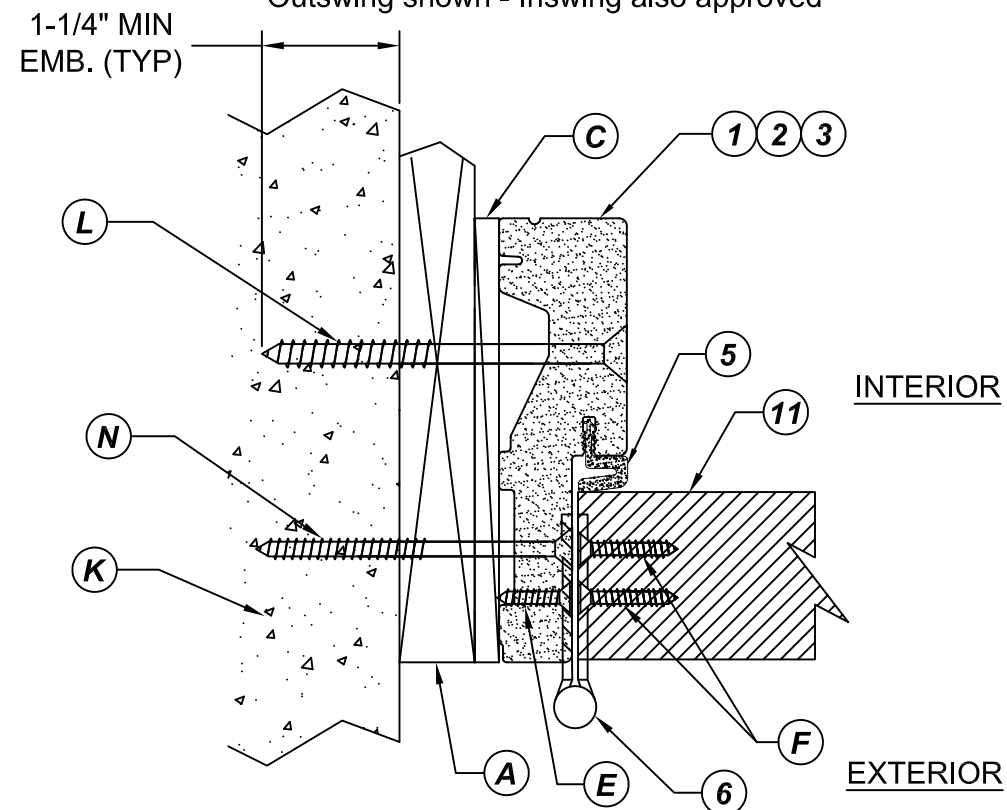
PREPARED BY:
BUILDING DROPS, INC.
398 E. DANIA BEACH BLVD. #338
DANIA BEACH, FL 33004
PH: (954) 399-8478 FX: (954) 744-4738



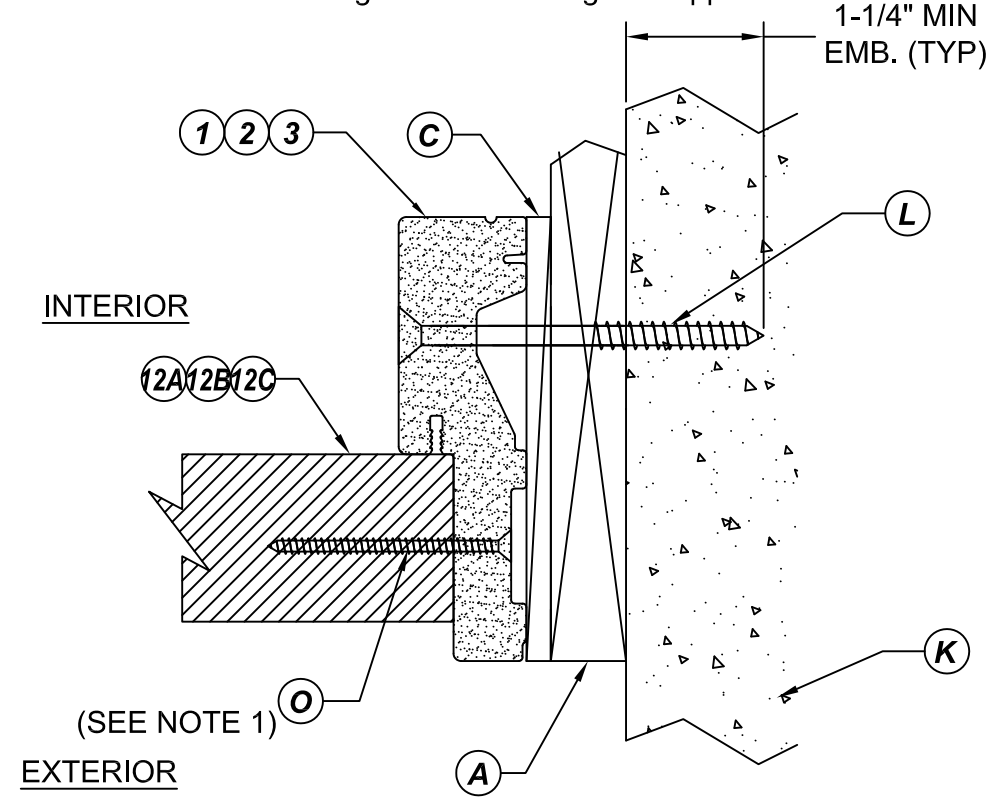
1 HORIZONTAL CROSS SECTION
12 SHOWN W/ 2X WOOD BUCK
Outswing shown - Inswing also approved



2 HORIZONTAL CROSS SECTION
12 SHOWN W/ 2X WOOD BUCK
Outswing shown - Inswing also approved



3 HORIZONTAL CROSS SECTION
12 SHOWN W/ 1X WOOD BUCK
Outswing shown - Inswing also approved



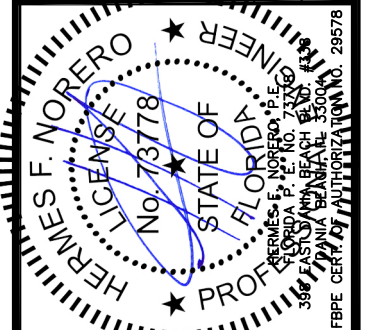
4 HORIZONTAL CROSS SECTION
12 SHOWN W/ 1X WOOD BUCK
Outswing shown - Inswing also approved

NOTE:

1. SIDELITE SCREWS LOCATED 6" FROM EACH END OF SIDE JAMB AND 3 EQUALLY SPACED SCREWS FROM THE END SCREWS.

REVISIONS

NO.	DESCRIPTION	BY	DATE



DATE: 07.14.16	DWN BY: LS	CHK BY: HFN	SCALE: NTS
-------------------	---------------	----------------	---------------

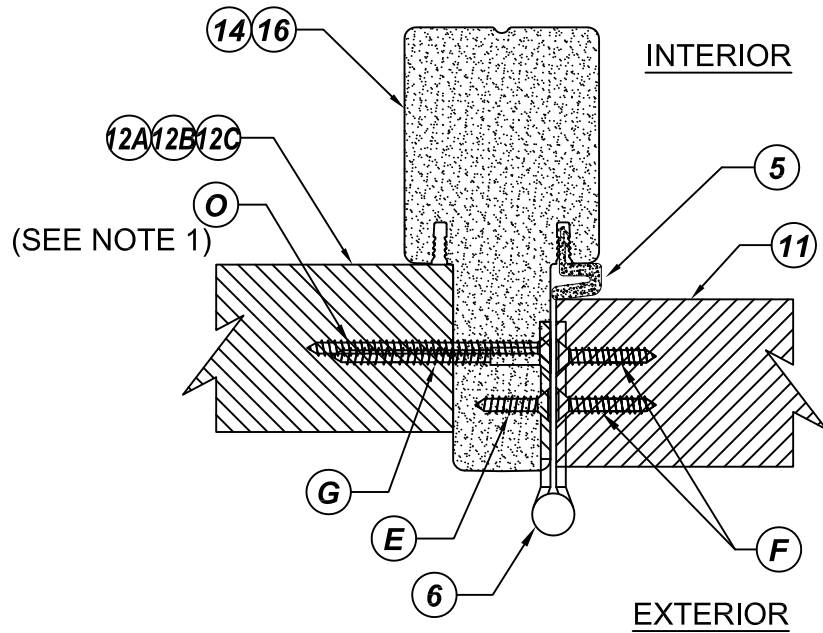
DWG #:
FL-20867.3

SHEET: **12 OF 32**

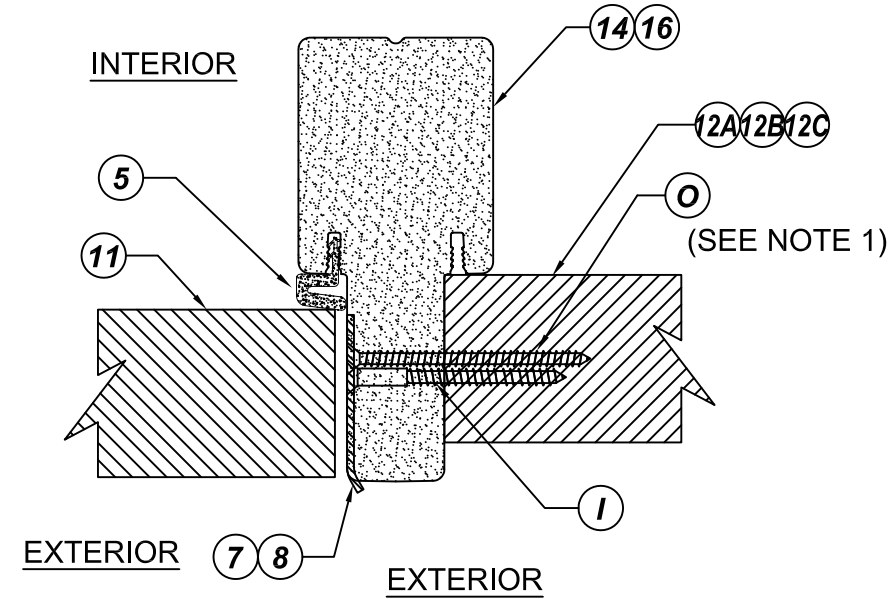
TITLE: GLAZED FIBERGLASS DOOR
NON-IMP. INSWING/OUTSWING

HORIZONTAL
CROSS SECTIONS

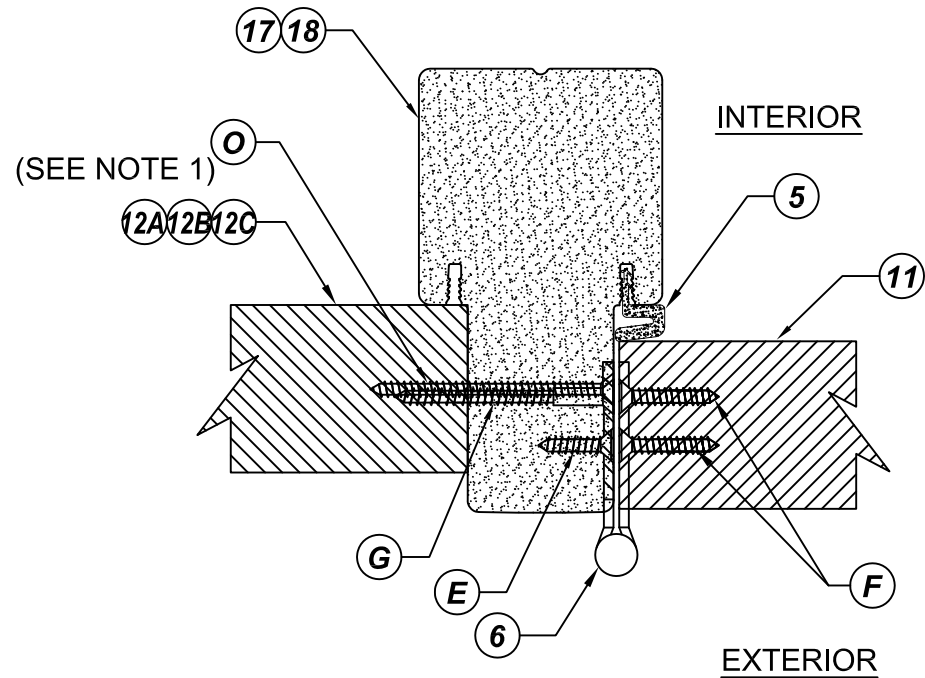
PREPARED BY:
BUILDING DROPS, INC.
398 E. DANIA BEACH BLVD. #3338
DANIA BEACH, FL 33004
PH: (954) 399-8478 FX: (954) 744-4738



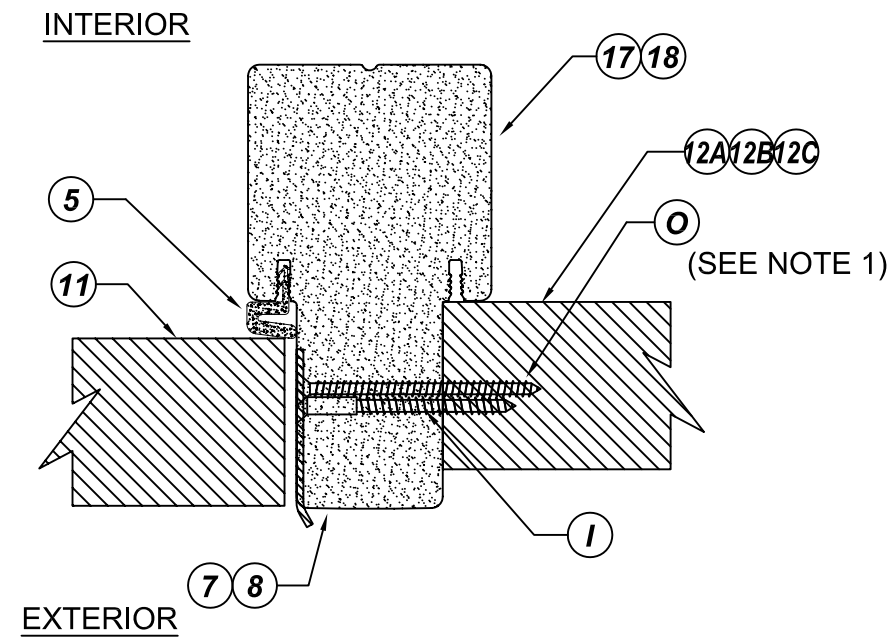
1
13 HORIZONTAL CROSS SECTION
Outswing shown - Inswing also approved



2
13 HORIZONTAL CROSS SECTION
Outswing shown - Inswing also approved



3
13 HORIZONTAL CROSS SECTION
Outswing shown - Inswing also approved

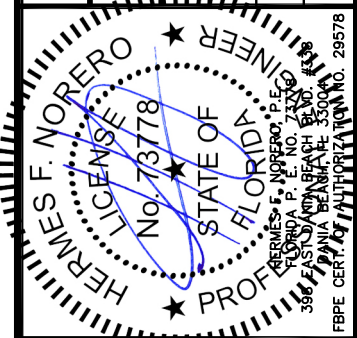


4
13 HORIZONTAL CROSS SECTION
Outswing shown - Inswing also approved

NOTE:
1. SIDELITE SCREWS LOCATED 6" FROM EACH END OF MULLION AND 3 EQUALLY SPACED SCREWS FROM THE END SCREWS.

REVISIONS

NO.	DESCRIPTION	BY	DATE



DATE: 07.14.16	DWN BY: LS	CHK BY: HFN	SCALE: NTS
-------------------	---------------	----------------	---------------

DWG #:
FL-20867.3

SHEET: **13 OF 32**

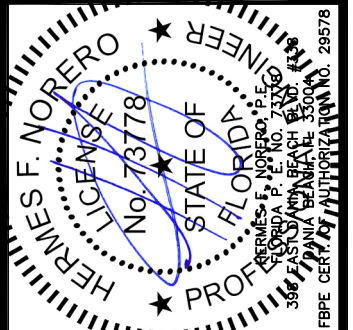
TITLE: GLAZED FIBERGLASS DOOR
NON-IMP. INSWING/OUTSWING

HORIZONTAL
CROSS SECTIONS

PREPARED BY:
BUILDING DROPS, INC.
398 E. DANIA BEACH BLVD. #338
DANIA BEACH, FL 33004
PH: (954) 399-8478 FX: (954) 744-4738

REVISIONS

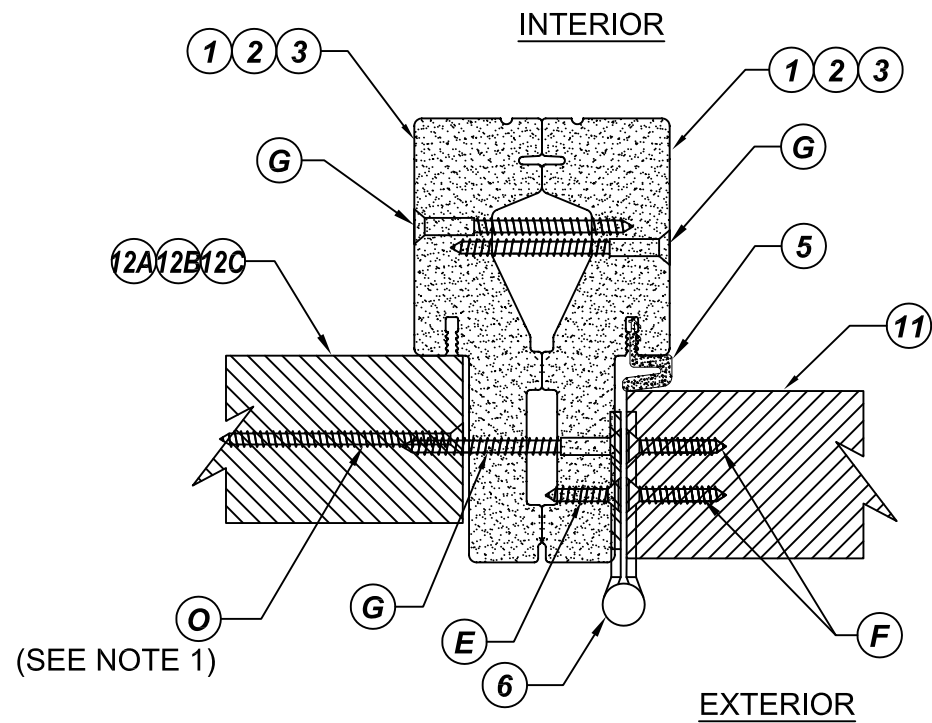
NO.	DESCRIPTION	BY	DATE



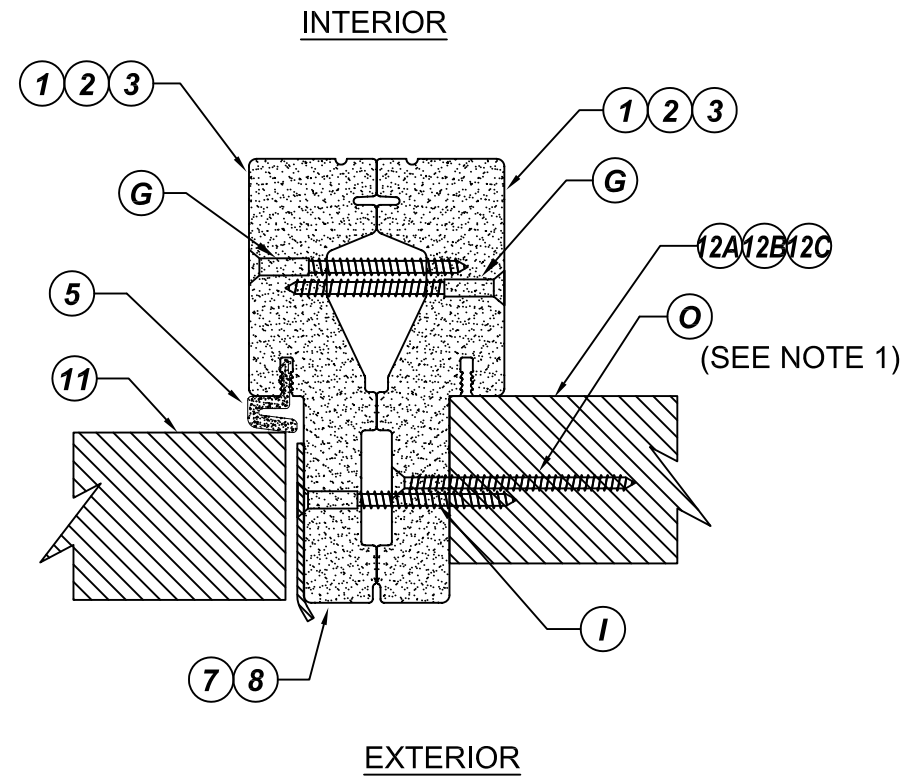
DATE:	DWN BY:	CHK BY:	SCALE:
07.14.16	LS	HFN	NTS

DWG #: **FL-20867.3**

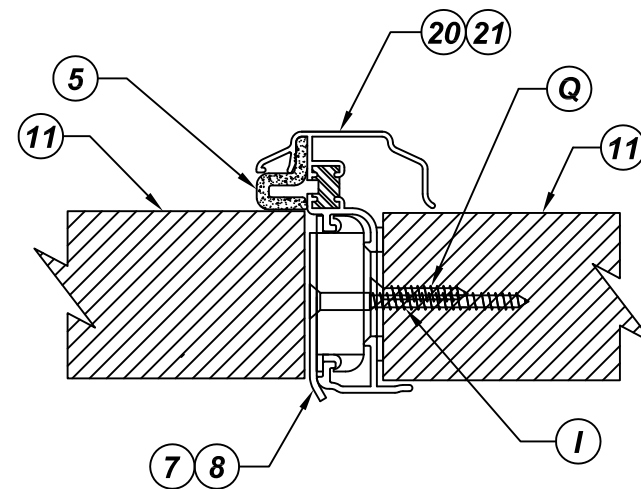
SHEET: **14 OF 32**



1
14 HORIZONTAL CROSS SECTION
Outswing shown - Inswing also approved



2
14 HORIZONTAL CROSS SECTION
Outswing shown - Inswing also approved



3
14 HORIZONTAL CROSS SECTION
Outswing shown - Inswing also approved

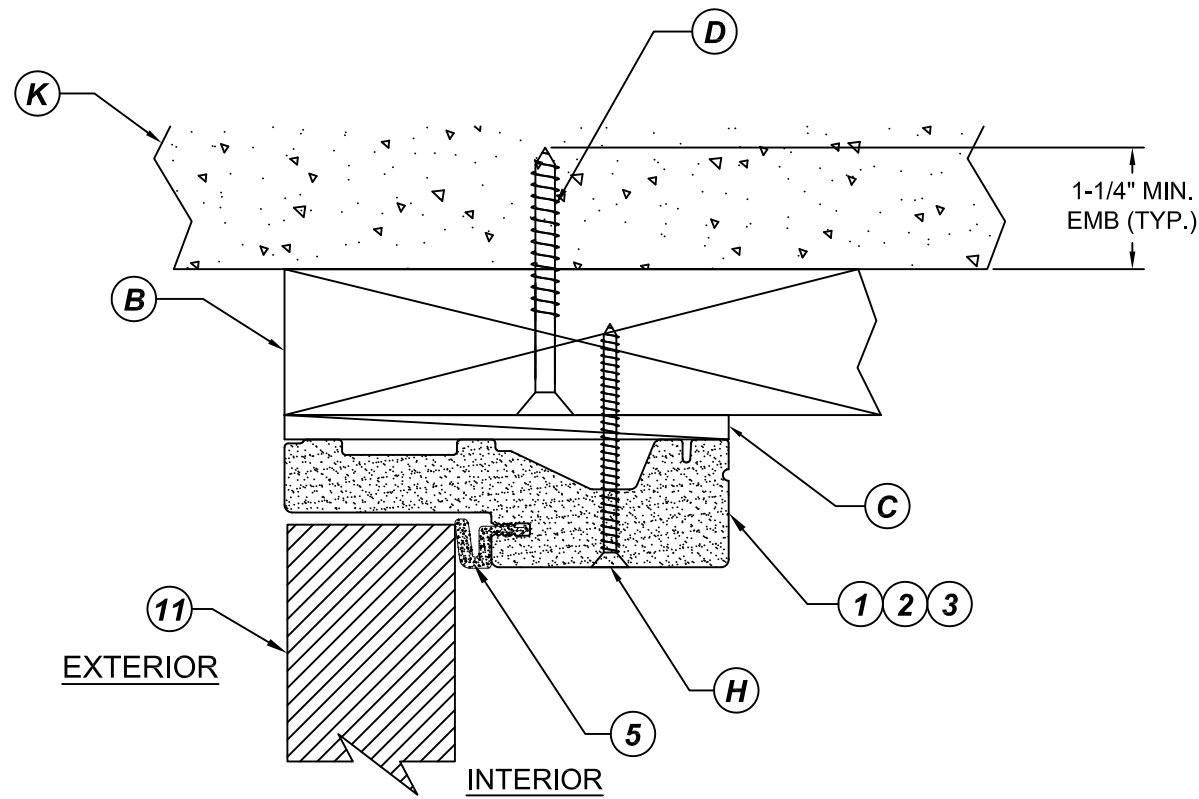
NOTE:

1. SIDELITE SCREWS LOCATED 6" FROM EACH END OF MULLION AND 3 EQUALLY SPACED SCREWS FROM THE END SCREWS.

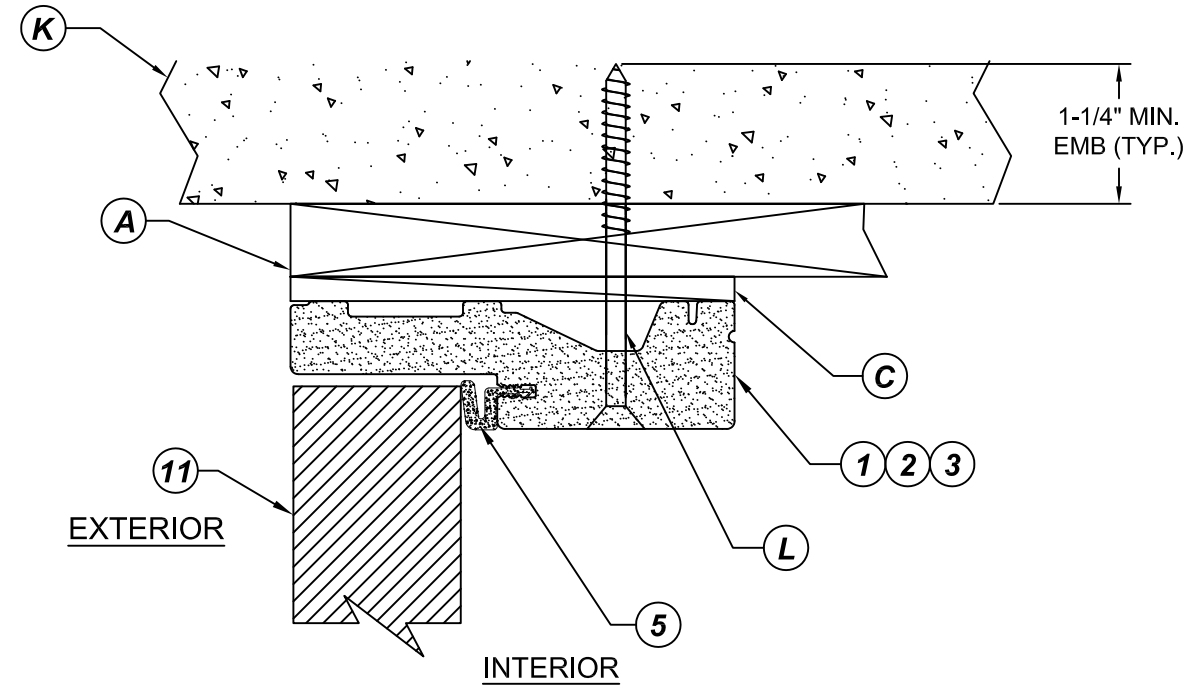
TITLE: GLAZED FIBERGLASS DOOR
NON-IMP. INSWING/OUTSWING

VERTICAL
CROSS SECTIONS

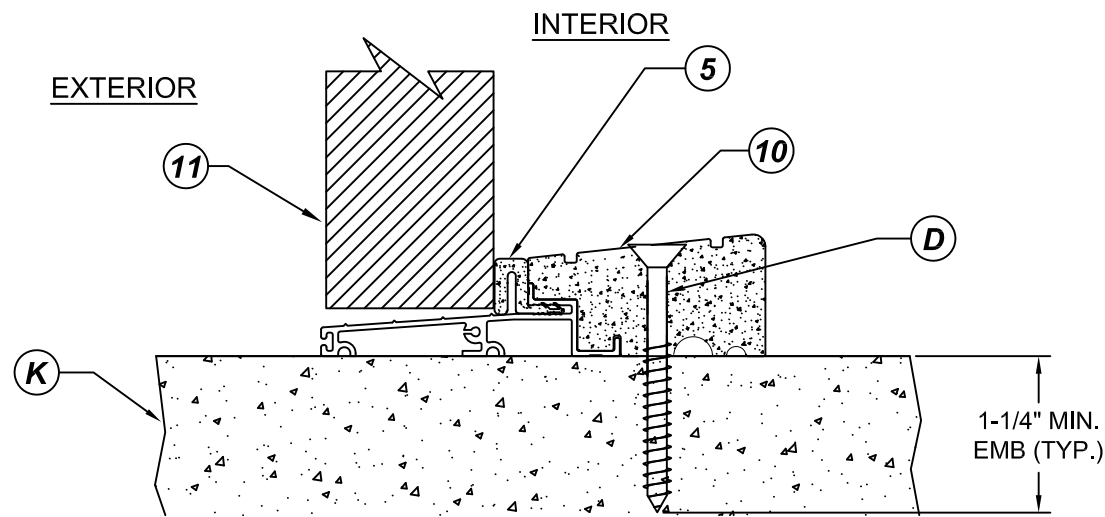
PREPARED BY:
BUILDING DROPS, INC.
398 E. DANIA BEACH BLVD. #338
DANIA BEACH, FL 33004
PH: (954) 399-8478 FX: (954) 744-4738



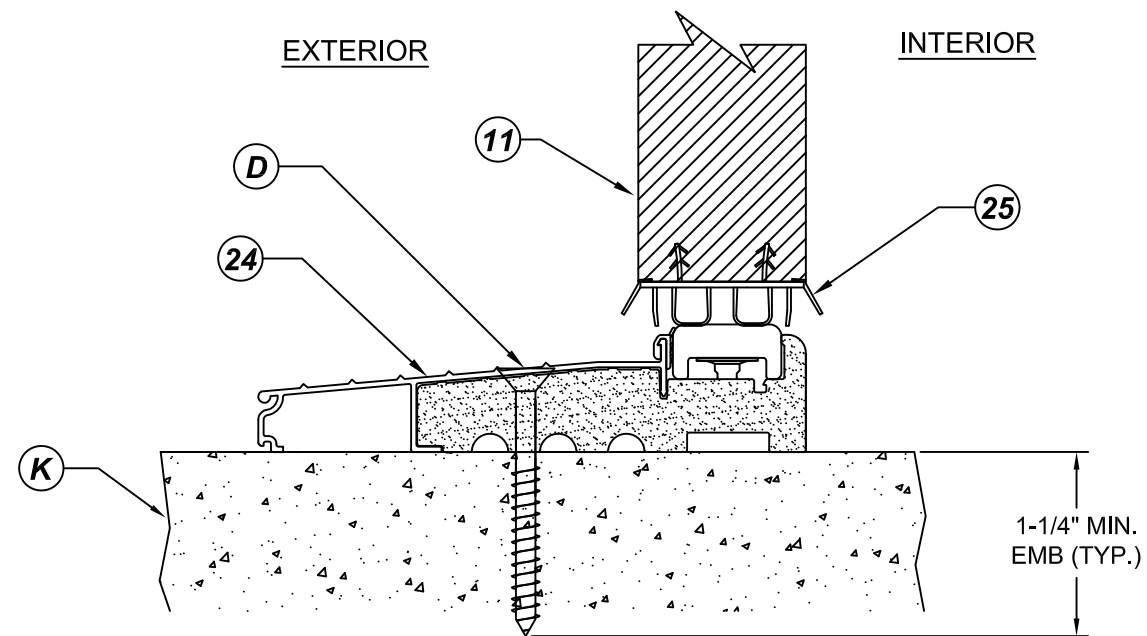
1
15 **VERTICAL CROSS SECTION**
SHOWN W/ 2X WOOD BUCK
Outswing shown - Inswing also approved



2
15 **VERTICAL CROSS SECTION**
SHOWN W/ 1X WOOD BUCK
Outswing shown - Inswing also approved



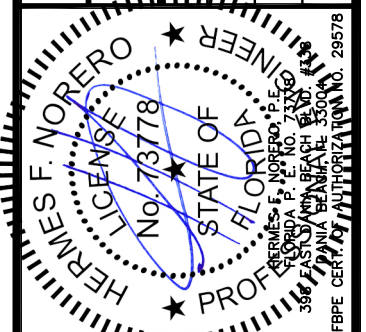
3
15 **VERTICAL CROSS SECTION**
OUTSWING SILL



4
15 **VERTICAL CROSS SECTION**
INSWING SILL

REVISIONS

NO.	DESCRIPTION	BY	DATE



DATE:	DWN BY:	CHK BY:	SCALE:
07.14.16	LS	HFN	NTS

DWG #: **FL-20867.3**
SHEET: **15 OF 32**

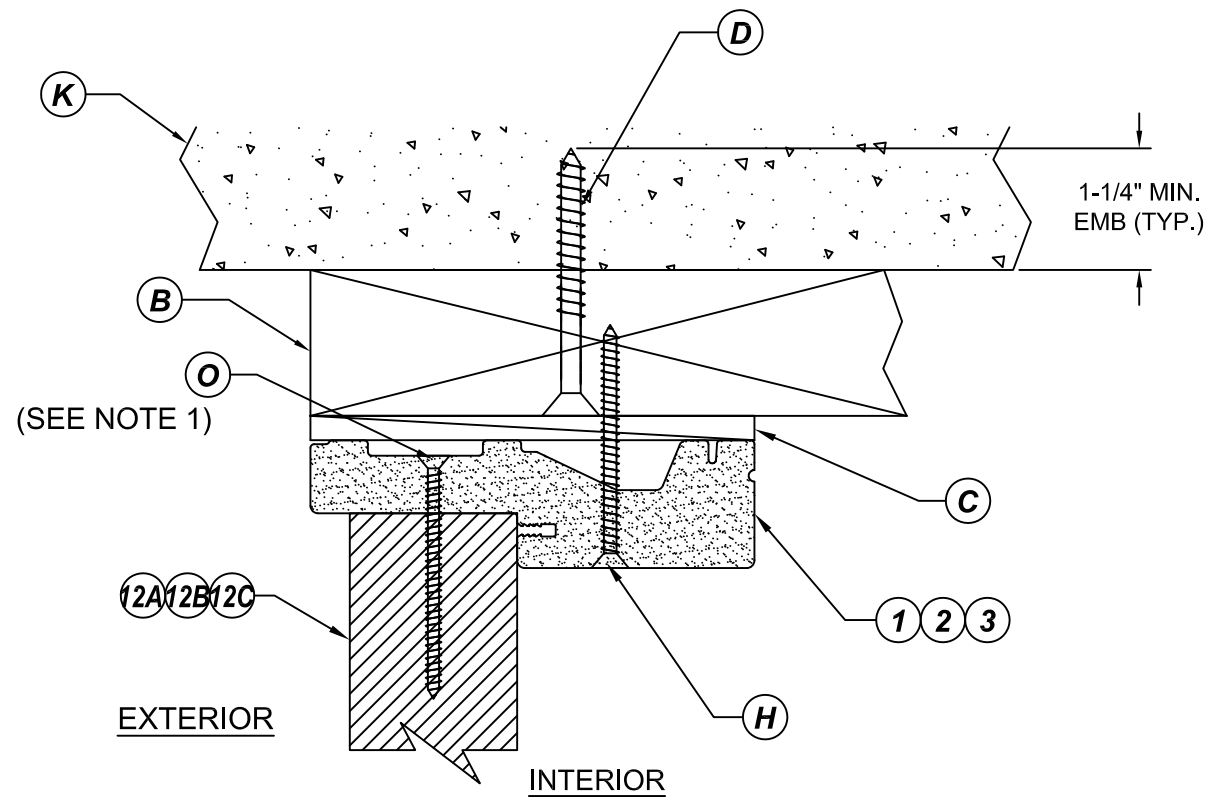
TITLE: GLAZED FIBERGLASS DOOR
NON-IMP. INSWING/OUTSWING

VERTICAL
CROSS SECTIONS

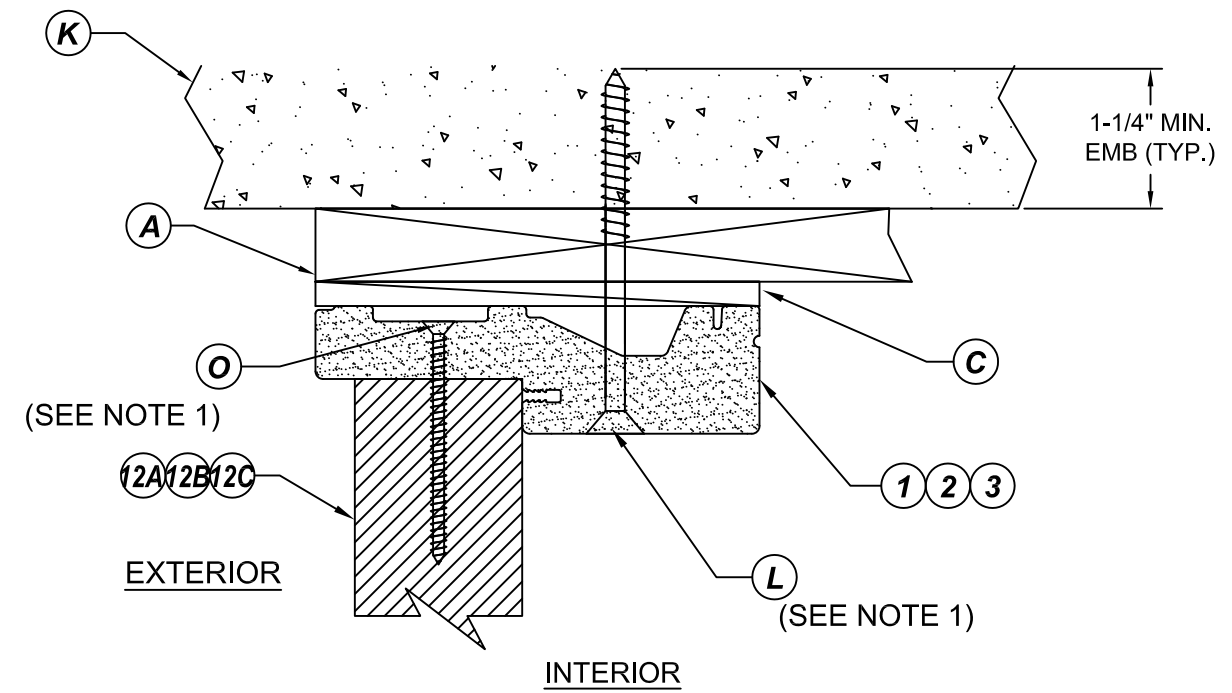
PREPARED BY:

BUILDING DROPS, INC.
398 E. DANIA BEACH BLVD. #338
DANIA BEACH, FL 33004

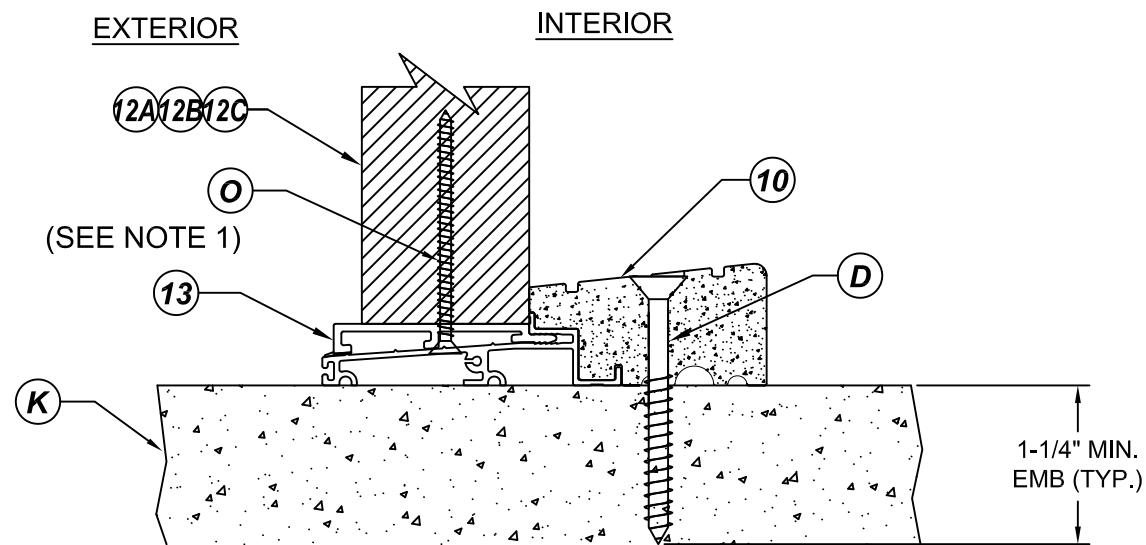
PH: (954) 399-8478 FX: (954) 744-4738



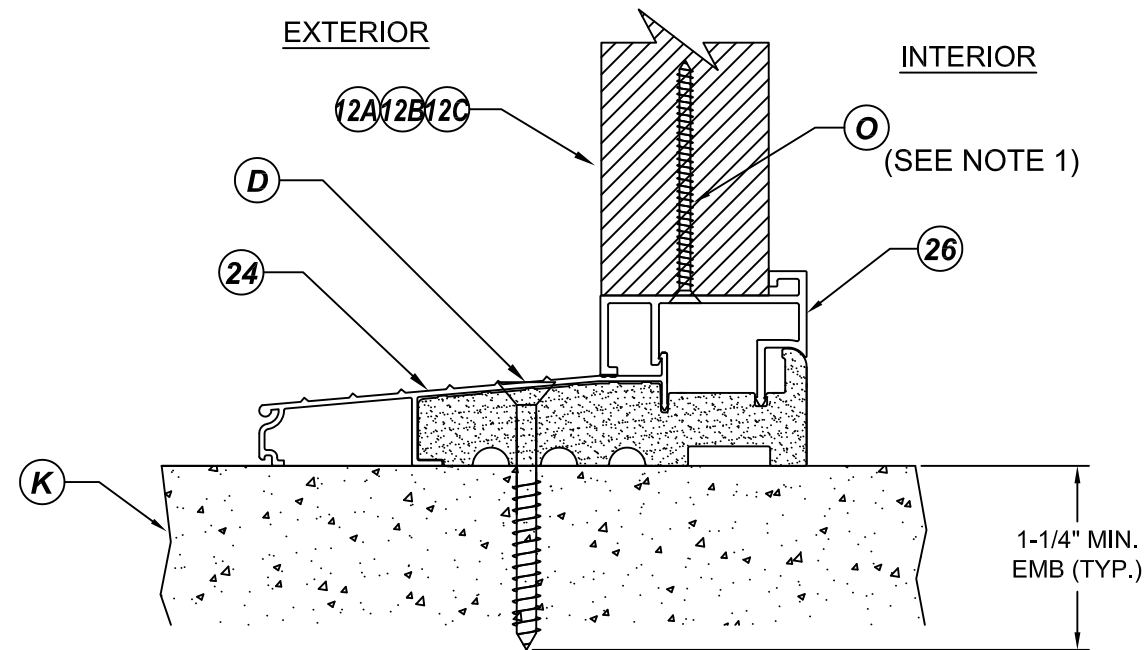
1
16 **VERTICAL CROSS SECTION**
SHOWN W/ 1X WOOD BUCK
Outswing shown - Inswing also approved



2
16 **VERTICAL CROSS SECTION**
SHOWN W/ 1X WOOD BUCK
Outswing shown - Inswing also approved



3
16 **VERTICAL CROSS SECTION**
OUTSWING SILL



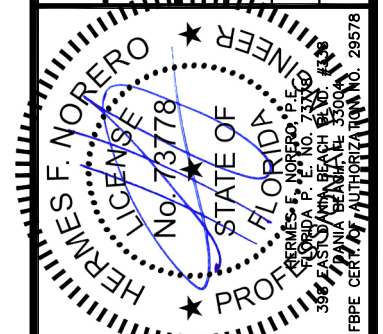
4
16 **VERTICAL CROSS SECTION**
INSWING SILL

NOTE:

1. SIDELITE SCREWS THRU HEADER AND SILL LOCATED AT CENTER OF EACH SIDELITE TOP AND BOTTOM RAILS.

REVISIONS

NO.	DESCRIPTION	BY	DATE



DATE:	07.14.16
DWN BY:	LS
CHK BY:	HFN
SCALE:	NTS

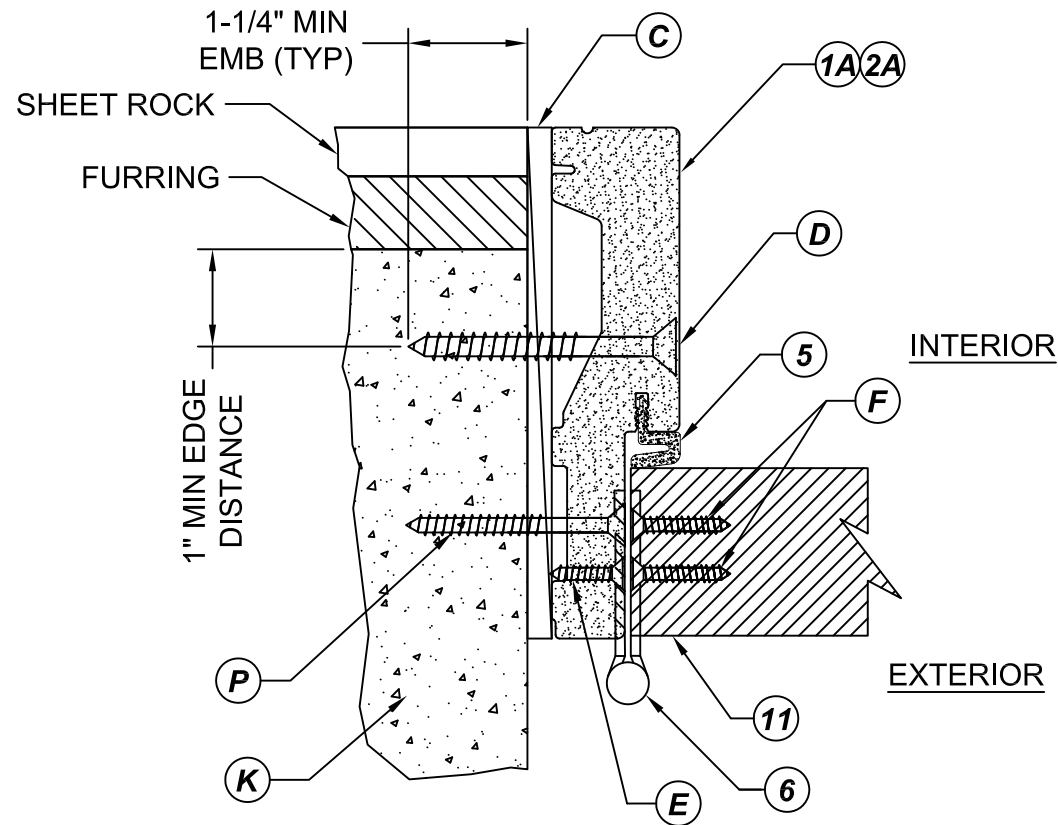
DWG #: **FL-20867.3**

SHEET: **16 OF 32**

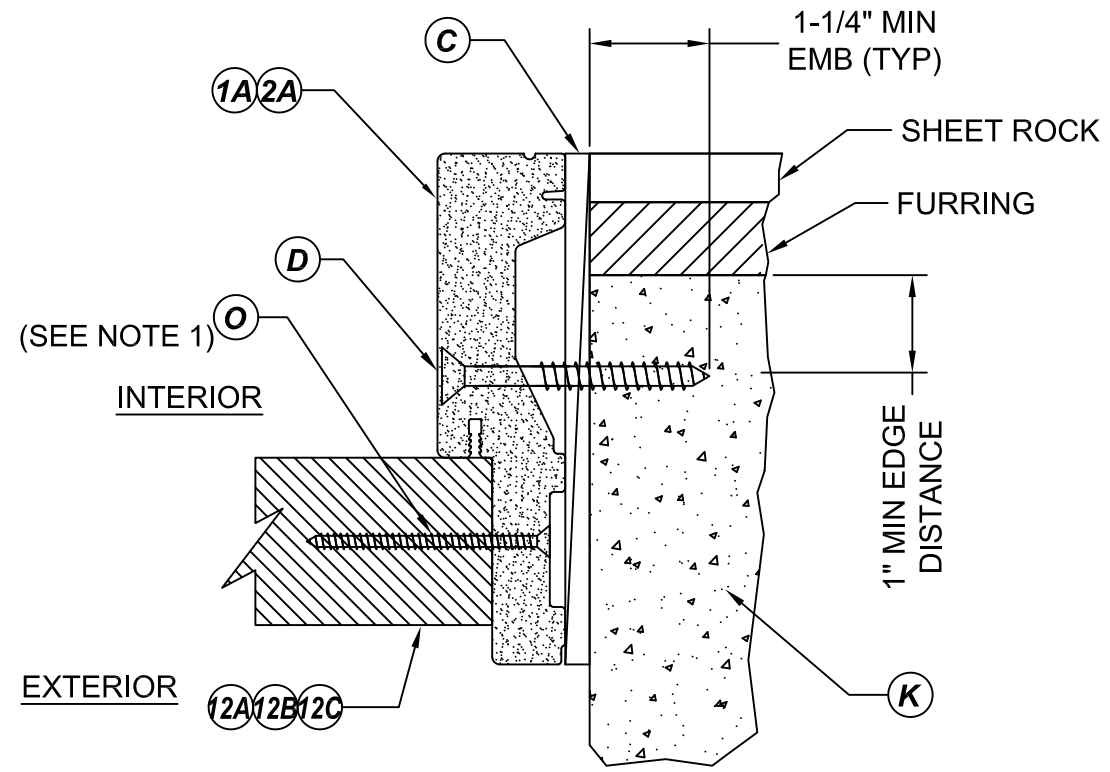
TITLE: GLAZED FIBERGLASS DOOR
NON-IMP. INSWING/OUTSWING

HORIZONTAL & VERTICAL
CROSS SECTIONS

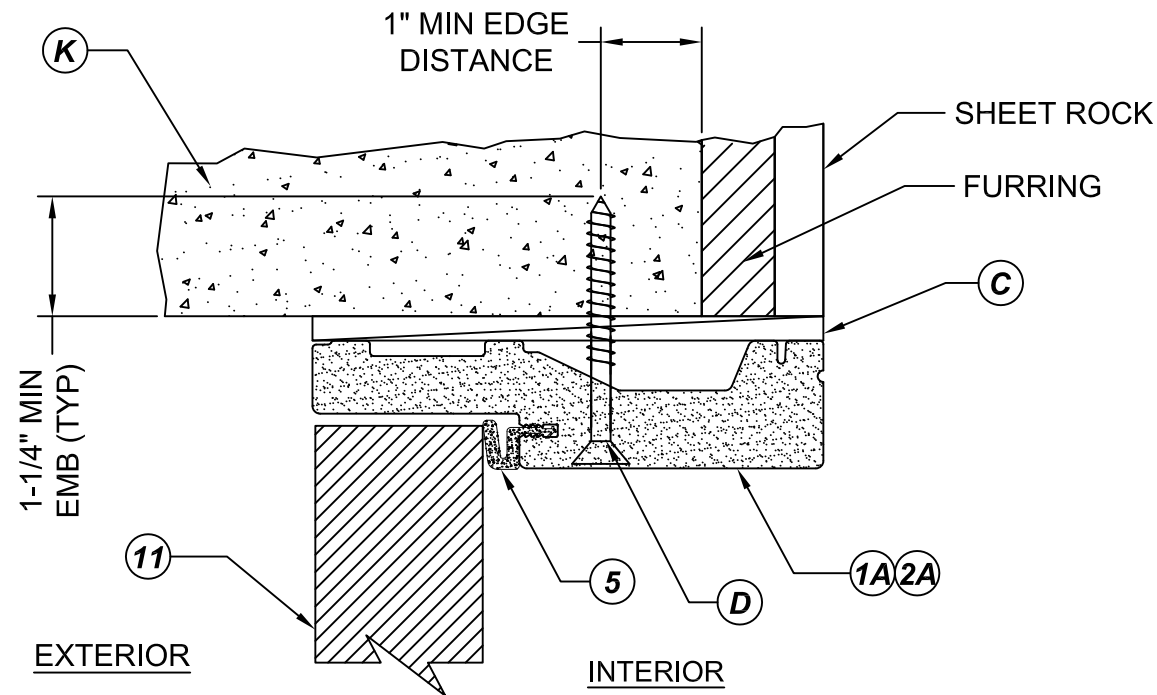
PREPARED BY:
BUILDING DROPS, INC.
398 E. DANIA BEACH BLVD. #338
DANIA BEACH, FL 33004
PH: (954) 399-8478 FX: (954) 744-4738



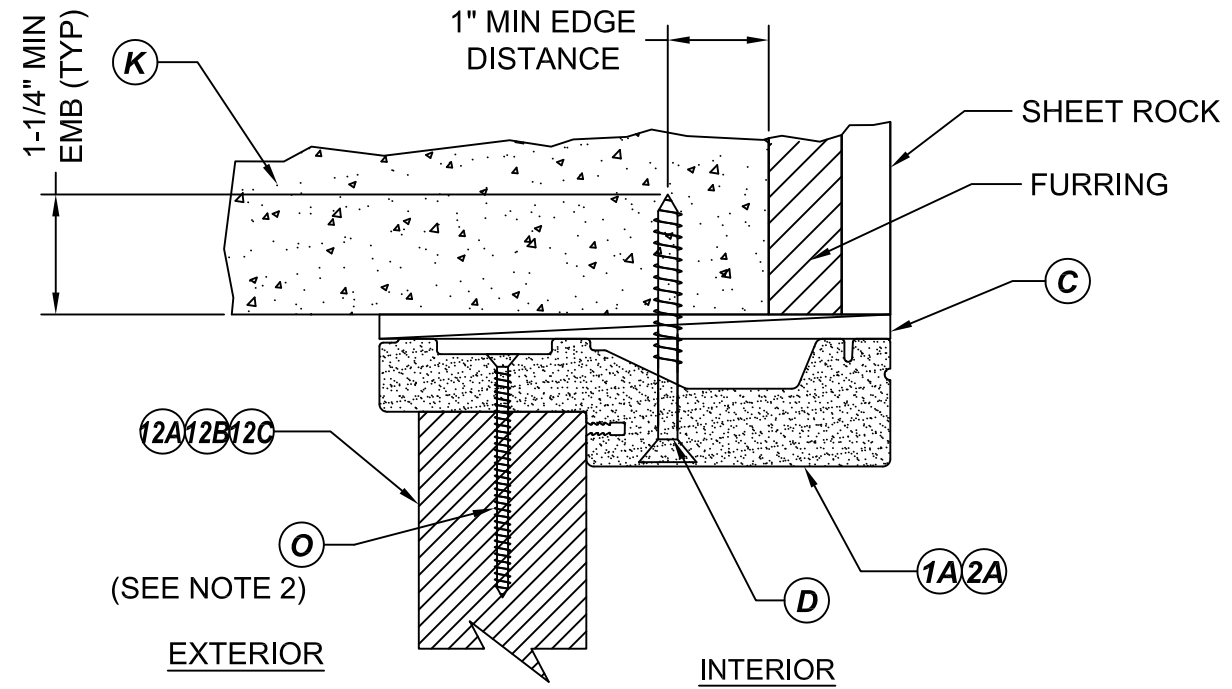
1 **HORIZONTAL CROSS SECTION**
17 Direct to masonry (5-1/4" min jamb)
Outswing shown - Inswing also approved



2 **HORIZONTAL CROSS SECTION**
17 Direct to masonry (5-1/4" min jamb)
Outswing shown - Inswing also approved



3 **VERTICAL CROSS SECTION**
17 Direct to masonry (5-1/4" min jamb)
Outswing shown - Inswing also approved



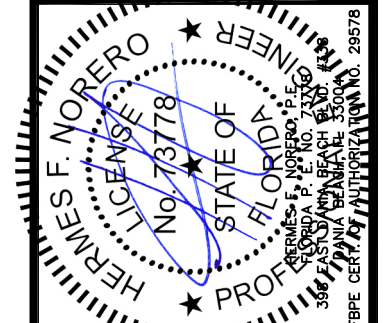
4 **VERTICAL CROSS SECTION**
17 Direct to masonry (5-1/4" min jamb)
Outswing shown - Inswing also approved

NOTE:

- SIDELITE SCREWS LOCATED 6" FROM EACH END OF JAMB AND 3 EQUALLY SPACED SCREWS FROM THE END SCREWS.
- SIDELITE SCREWS THRU HEADER AND SILL LOCATED AT CENTER OF EACH SIDELITE TOP AND BOTTOM RAILS.

REVISIONS

NO.	DESCRIPTION	BY	DATE



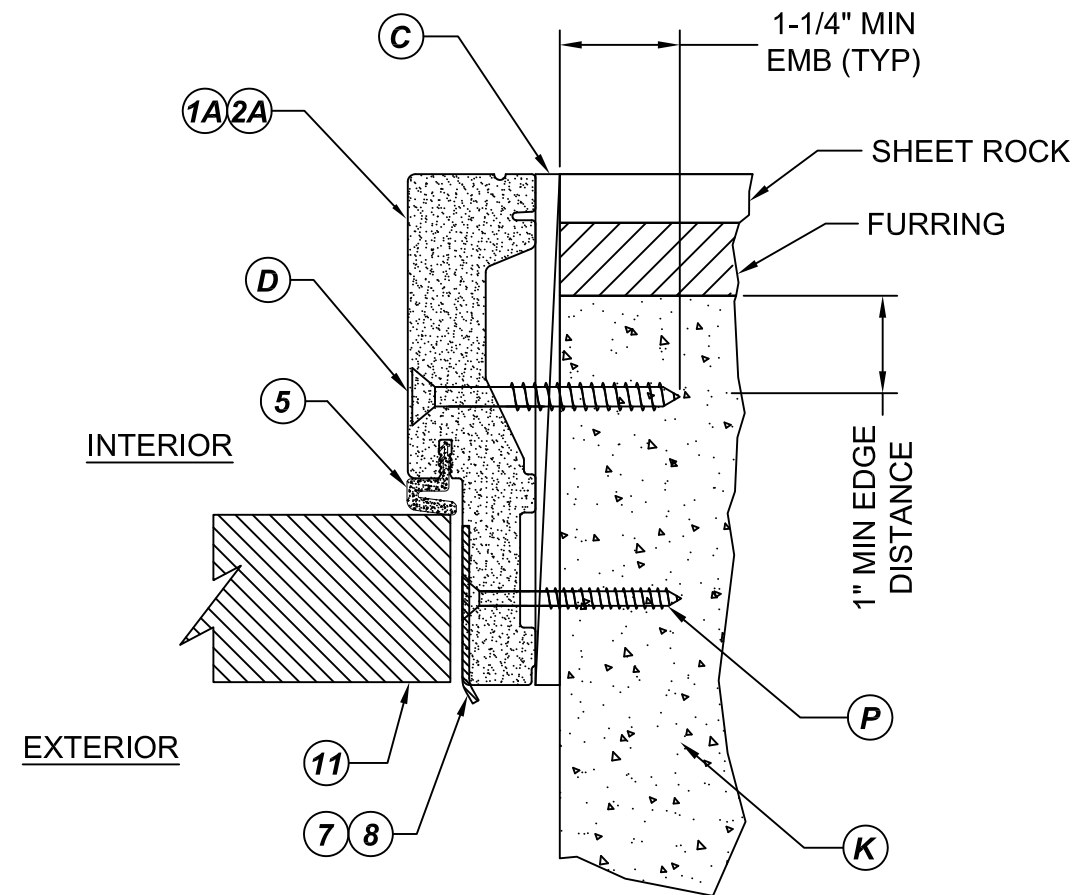
DATE:	07.14.16
DWN BY:	LS
CHK BY:	LFN
SCALE:	NTS

DWG #: **FL-20867.3**
SHEET: **17 OF 32**

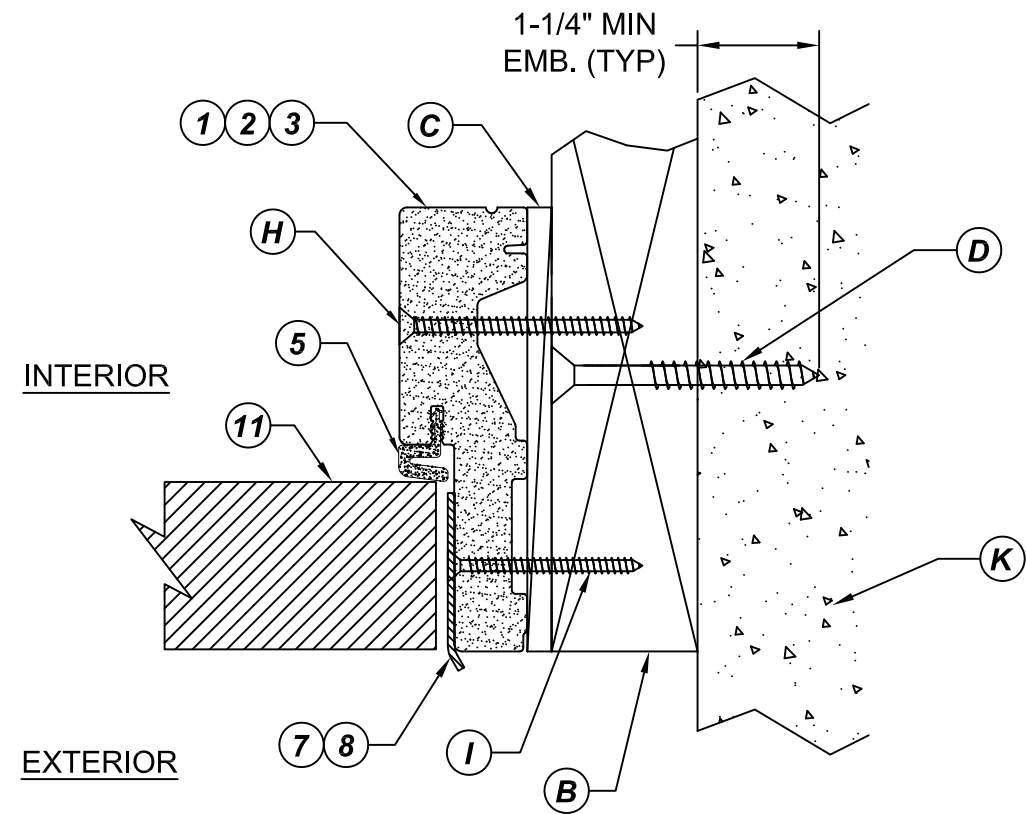
TITLE: GLAZED FIBERGLASS DOOR
NON-IMP. INSWING/OUTSWING

HORIZONTAL
CROSS SECTIONS

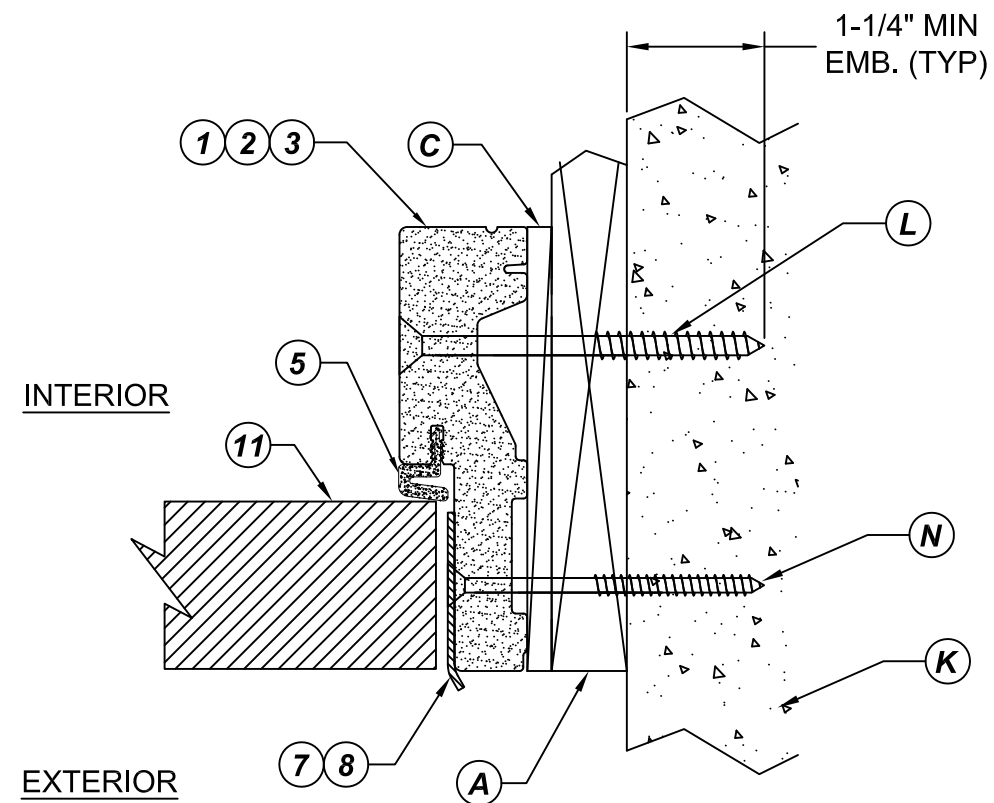
PREPARED BY:
BUILDING DROPS, INC.
398 E. DANIA BEACH BLVD. #338
DANIA BEACH, FL 33004
PH: (954) 399-8478 FX: (954) 744-4738



1
18 **HORIZONTAL CROSS SECTION**
Direct to masonry (5-1/4" min jamb)
Outswing shown - Inswing also approved



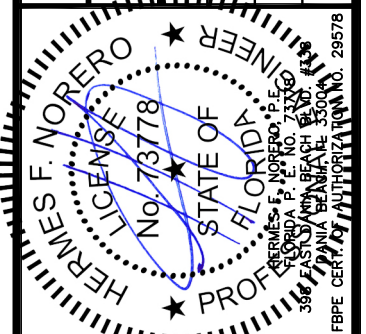
2
18 **HORIZONTAL CROSS SECTION**
SHOWN W/ 2X WOOD BUCK
Outswing shown - Inswing also approved



3
18 **HORIZONTAL CROSS SECTION**
SHOWN W/ 1X WOOD BUCK
Outswing shown - Inswing also approved

REVISIONS

NO.	DESCRIPTION	BY	DATE



DATE: 07.14.16
DWN BY: LS
CHK BY: HFN
SCALE: NTS

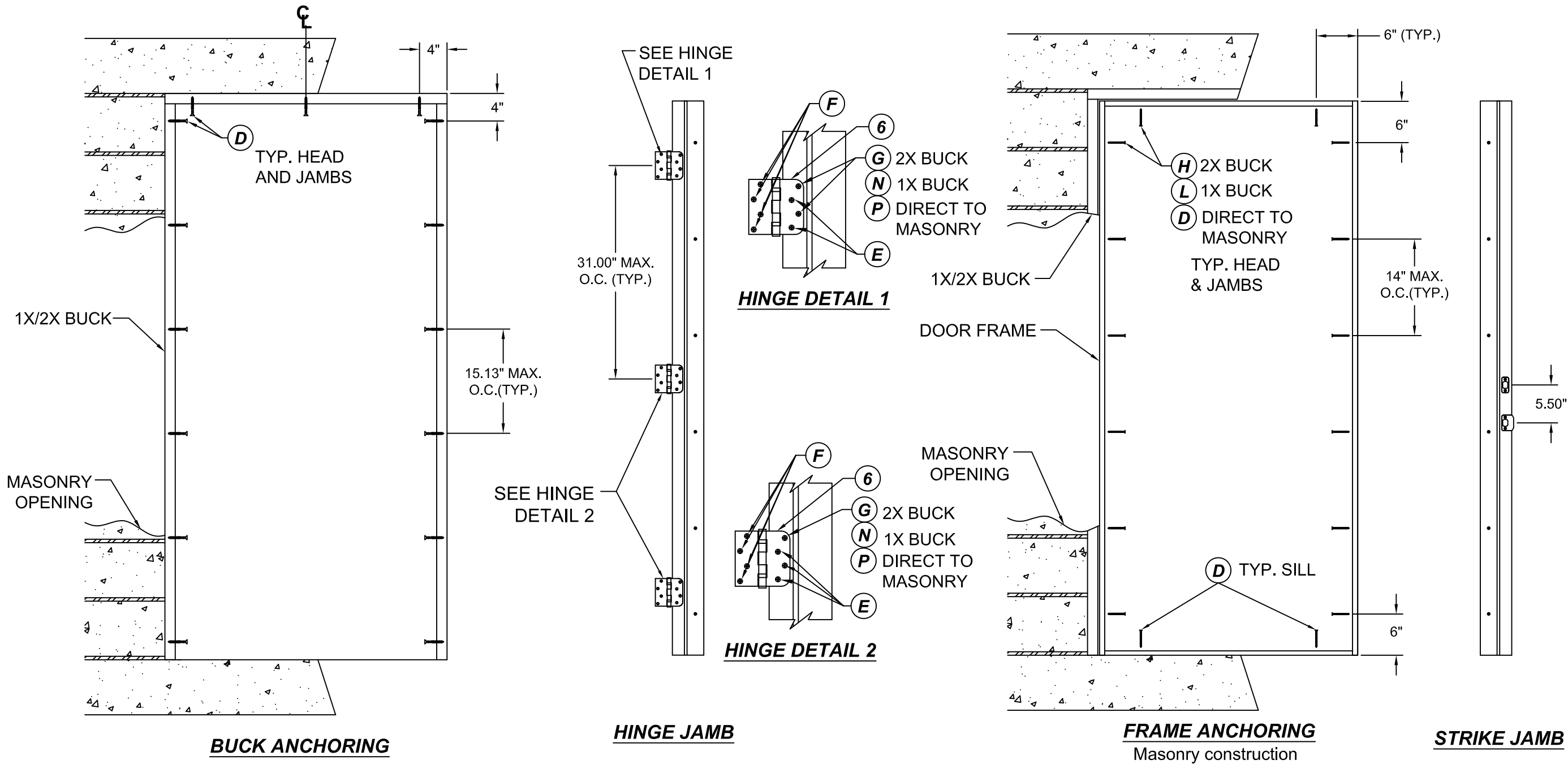
DWG #: **FL-20867.3**

SHEET: **18 OF 32**

TITLE: GLAZED FIBERGLASS DOOR
NON-IMP. INSWING/OUTSWING

BUCK & FRAME
ANCHORING

PREPARED BY:
BUILDING DROPS, INC.
398 E. DANIA BEACH BLVD. #338
DANIA BEACH, FL 33004
PH: (954) 399-8478 FX: (954) 744-4738



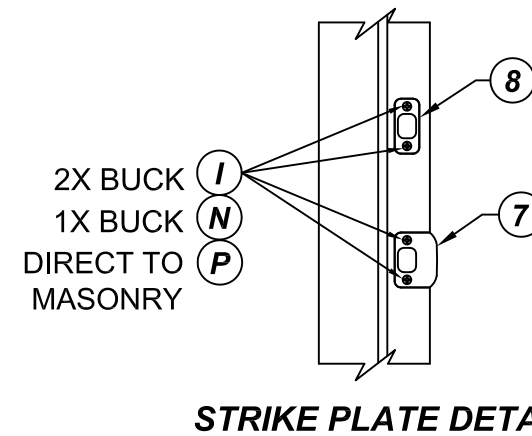
CONCRETE ANCHOR NOTES:

- Concrete anchor locations noted as "MAX ON CENTER" and at the corners must be adjusted to maintain min. edge distance to mortar joints. Additional concrete anchors may be required to ensure the "MAX ON CENTER" dimensions are not exceeded.
- Concrete anchor table:

ANCHOR TYPE	ANCHOR SIZE	MIN. EMBEDMENT	MIN. CLEARANCE TO MASONRY EDGE	MIN CLEARANCE TO ADJUSTMENT ANCHOR
ITW BUILDEX TAPCON®	1/4"	1-1/4"	2"	4"
ELCO ULTRAICON®	1/4"	1-1/4"	1"	4"
ITW BUILDEX TAPCON®	3/16"	1-1/4"	3"	1-1/2"

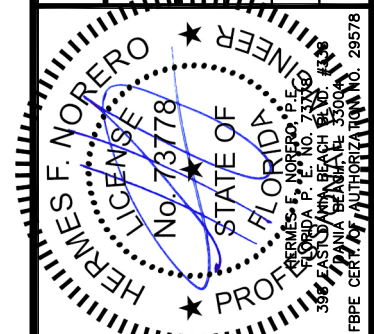
WOOD SCREW INSTALLATION NOTES:

- Maintain a min. 5/8" edge distance, & 1" o.c. spacing of wood screws to prevent splitting of wood.



REVISIONS

NO.	DESCRIPTION	BY DATE	
		BY	DATE



DATE: 07.14.16
DWN BY: LS
CHK BY: HFN
SCALE: NTS

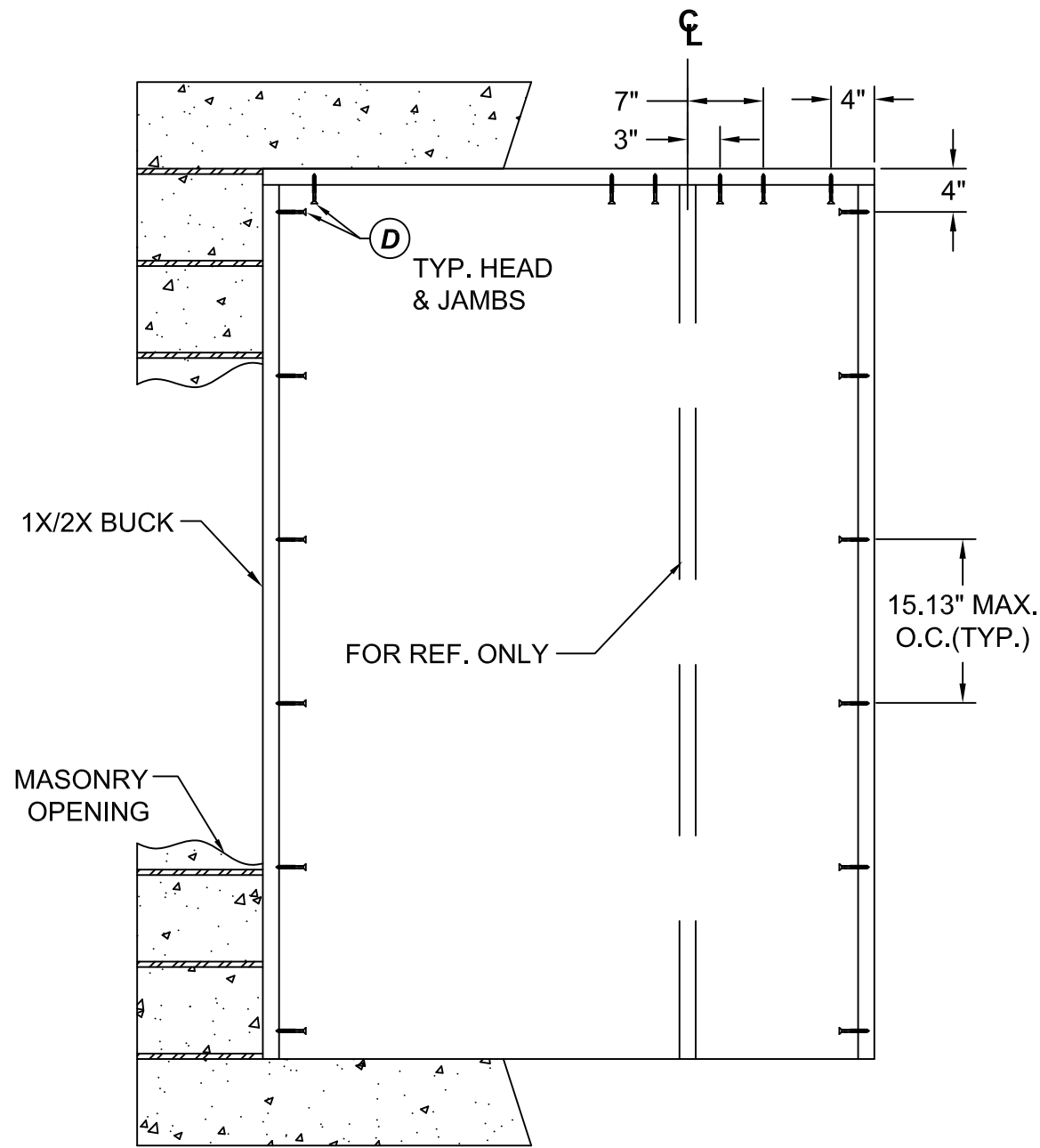
DWG #: **FL-20867.3**

SHEET: **19 OF 32**

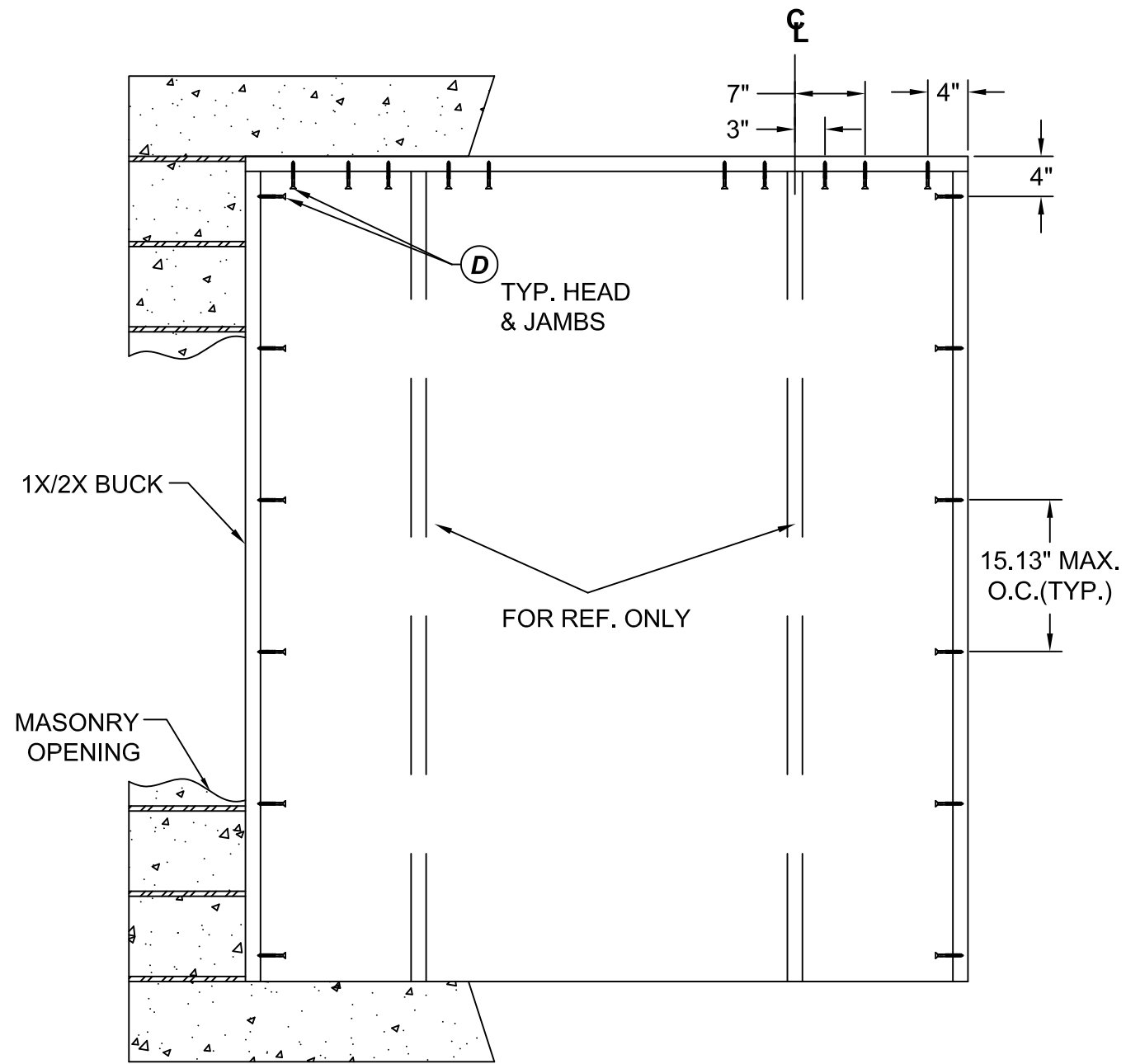
TITLE: GLAZED FIBERGLASS DOOR
NON-IMP. INSWING/OUTSWING

BUCK ANCHORING

PREPARED BY:
BUILDING DROPS, INC.
398 E. DANIA BEACH BLVD. #338
DANIA BEACH, FL 33004
PH: (954) 399-8478 FX: (954) 744-4738



BUCK ANCHORING



BUCK ANCHORING

CONCRETE ANCHOR NOTES:

- Concrete anchor locations noted as "MAX ON CENTER" and at the corners must be adjusted to maintain min. edge distance to mortar joints. Additional concrete anchors may be required to ensure the "MAX ON CENTER" dimensions are not exceeded.
- Concrete anchor table:

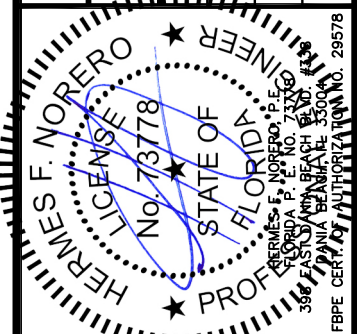
ANCHOR TYPE	ANCHOR SIZE	MIN. EMBEDMENT	MIN. CLEARANCE TO MASONRY EDGE	MIN CLEARANCE TO ADJUSTMENT ANCHOR
ITW BUILDEX TAPCON®	1/4"	1-1/4"	2"	4"
ELCO ULTRACON®	1/4"	1-1/4"	1"	4"
ITW BUILDEX TAPCON®	3/16"	1-1/4"	3"	1-1/2"

WOOD SCREW INSTALLATION NOTES:

- Maintain a min. 5/8" edge distance, & 1" o.c. spacing of wood screws to prevent splitting of wood.

REVISIONS

NO.	DESCRIPTION	BY	DATE



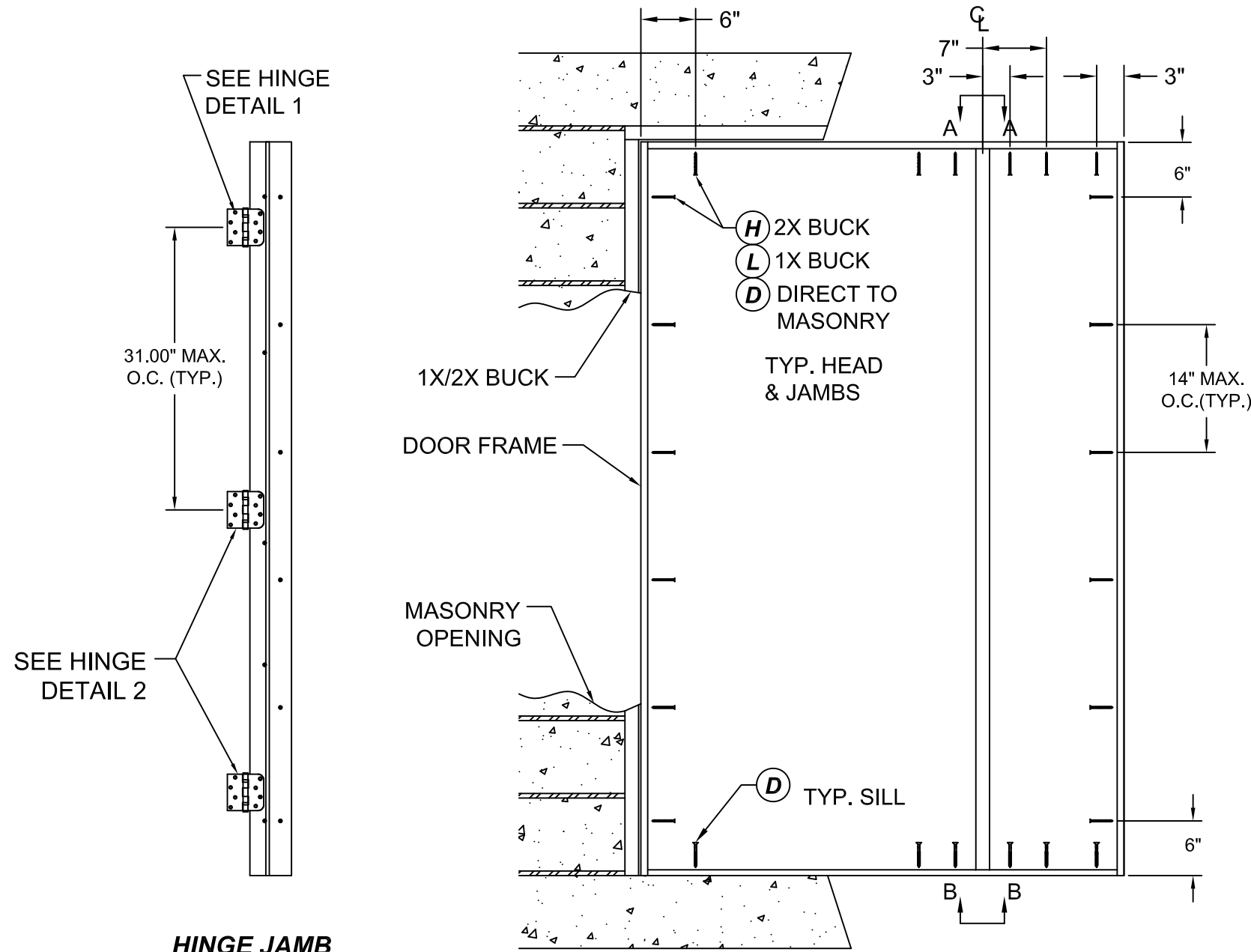
DATE: 07.14.16
DWN BY: LS
CHK BY: HFN
SCALE: NTS

DWG #: **FL-20867.3**

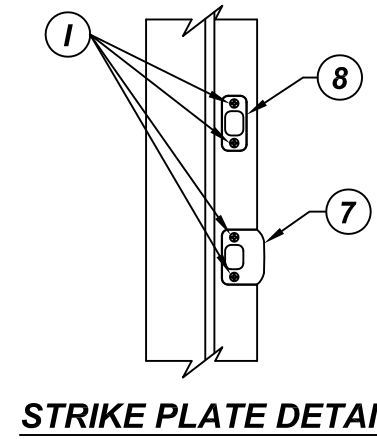
SHEET: **20 OF 32**

TITLE: GLAZED FIBERGLASS DOOR
NON-IMP. INSWING/OUTSWING

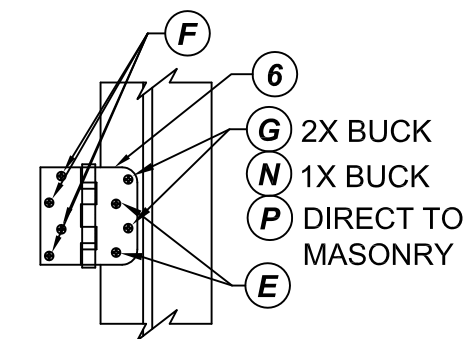
FRAME ANCHORING
PREPARED BY:
BUILDING DROPS, INC.
398 E. DANIA BEACH BLVD. #338
DANIA BEACH, FL 33004
PH: (954) 399-8478 FX: (954) 744-4738



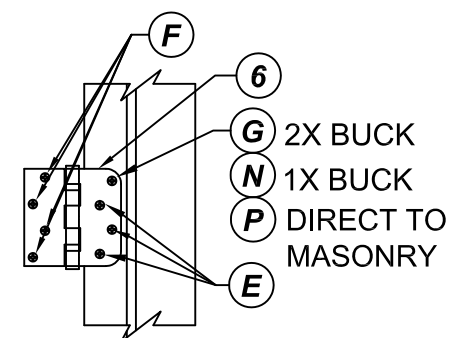
FRAME ANCHORING
Masonry construction



STRIKE PLATE DETAIL



HINGE DETAIL 1

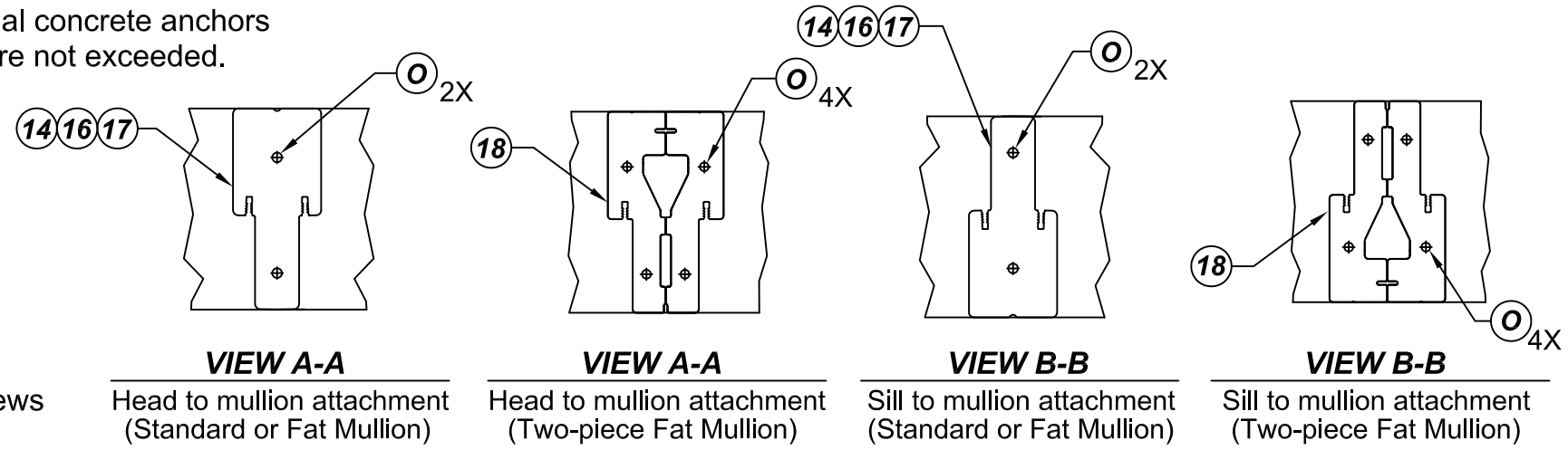


HINGE DETAIL 2

CONCRETE ANCHOR NOTES:

- Concrete anchor locations noted as "MAX ON CENTER" and at the corners must be adjusted to maintain min. edge distance to mortar joints. Additional concrete anchors may be required to ensure the "MAX ON CENTER" dimensions are not exceeded.

ANCHOR TYPE	ANCHOR SIZE	MIN. EMBEDMENT	MIN. CLEARANCE TO MASONRY EDGE	MIN CLEARANCE TO ADJUSTMENT ANCHOR
ITW BUILDEX TAPCON®	1/4"	1-1/4"	2"	4"
ELCO ULTRACON®	1/4"	1-1/4"	1"	4"
ITW BUILDEX TAPCON®	3/16"	1-1/4"	3"	1-1/2"

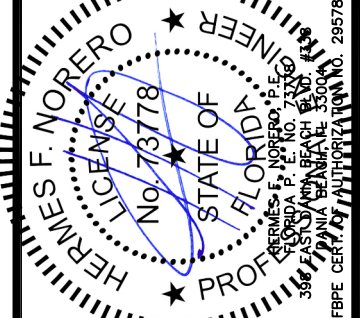


WOOD SCREW INSTALLATION NOTES:

- Maintain a min. 5/8" edge distance, & 1" o.c. spacing of wood screws to prevent splitting of wood.

REVISIONS

NO.	DESCRIPTION	BY	DATE



DATE: 07.14.16
DWN BY: LS
CHK BY: HFN
SCALE: NTS

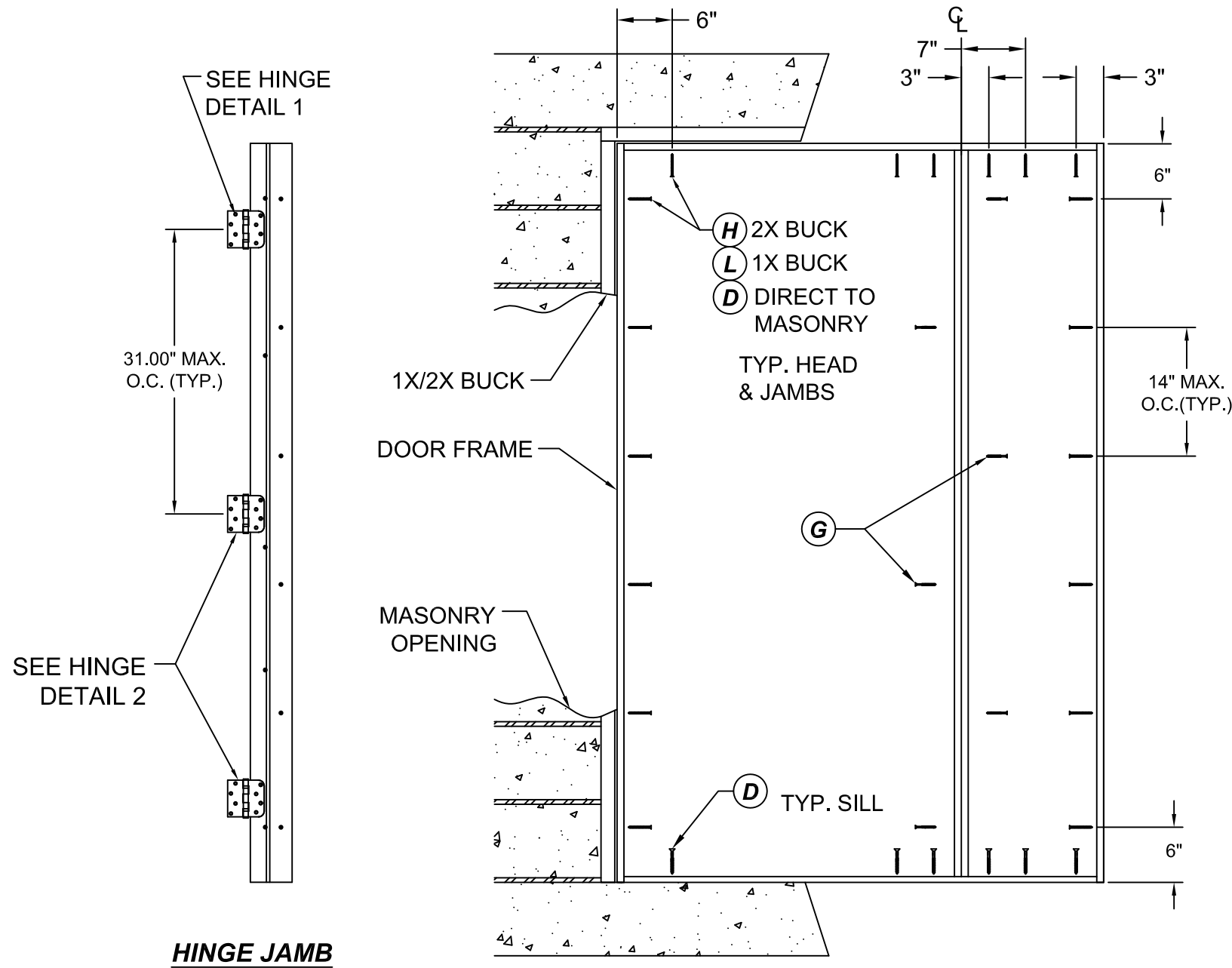
DWG #: **FL-20867.3**

SHEET: **21 OF 32**

TITLE: GLAZED FIBERGLASS DOOR
NON-IMP. INSWING/OUTSWING

FRAME ANCHORING

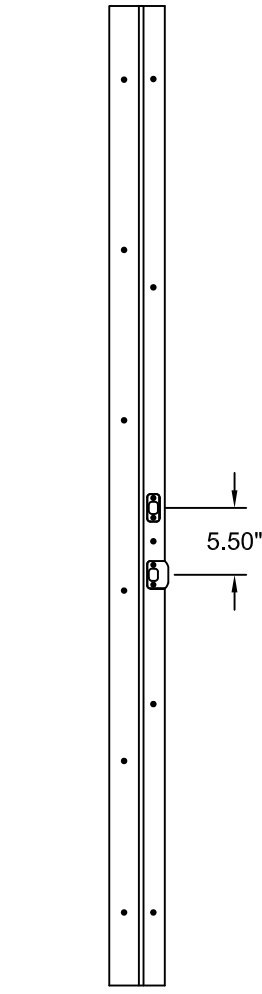
PREPARED BY:
BUILDING DROPS, INC.
398 E. DANIA BEACH BLVD. #3338
DANIA BEACH, FL 33004
PH: (954) 399-8478 FX: (954) 744-4738



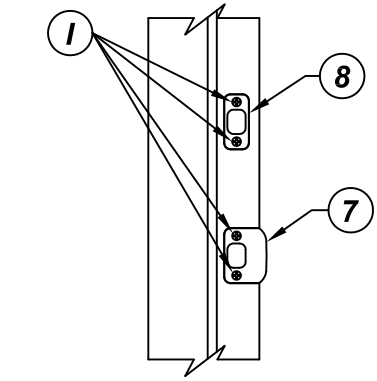
HINGE JAMB

FRAME ANCHORING

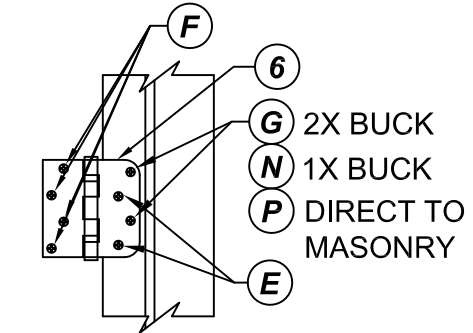
Masonry construction



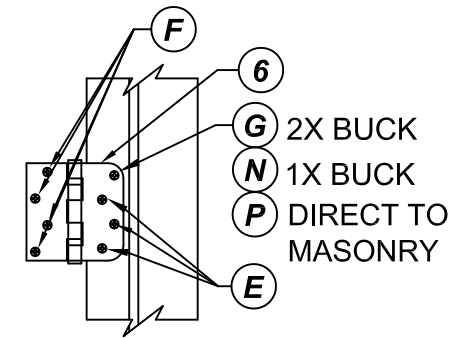
STRIKE JAMB



STRIKE PLATE DETAIL



HINGE DETAIL 1



HINGE DETAIL 2

CONCRETE ANCHOR NOTES:

- Concrete anchor locations noted as "MAX ON CENTER" and at the corners must be adjusted to maintain min. edge distance to mortar joints. Additional concrete anchors may be required to ensure the "MAX ON CENTER" dimensions are not exceeded.

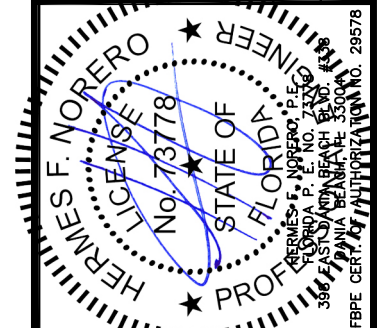
ANCHOR TYPE	ANCHOR SIZE	MIN. EMBEDMENT	MIN. CLEARANCE TO MASONRY EDGE	MIN CLEARANCE TO ADJUSTMENT ANCHOR
ITW BUILDEX TAPCON®	1/4"	1-1/4"	2"	4"
ELCO ULTRACON®	1/4"	1-1/4"	1"	4"
ITW BUILDEX TAPCON®	3/16"	1-1/4"	3"	1-1/2"

WOOD SCREW INSTALLATION NOTES:

- Maintain a min. 5/8" edge distance, & 1" o.c. spacing of wood screws to prevent splitting of wood.

REVISIONS

NO.	DESCRIPTION	BY	DATE



DATE: 07.14.16
DWN BY: LS
CHK BY: HFN
SCALE: NTS

DWG #: FL-20867.3

SHEET: 22 OF 32

TITLE: GLAZED FIBERGLASS DOOR
NON-IMP. INSWING/OUTSWING

FRAME ANCHORING

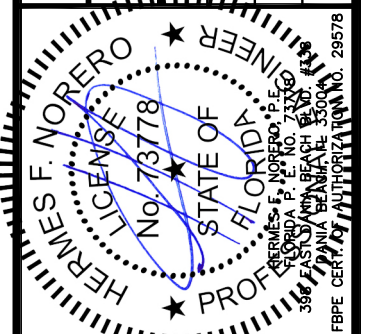
PREPARED BY:
BUILDING DROPS, INC.

398 E. DANIA BEACH BLVD. #338
DANIA BEACH, FL 33004

PH: (954) 399-8478
FX: (954) 744-4738

REVISIONS

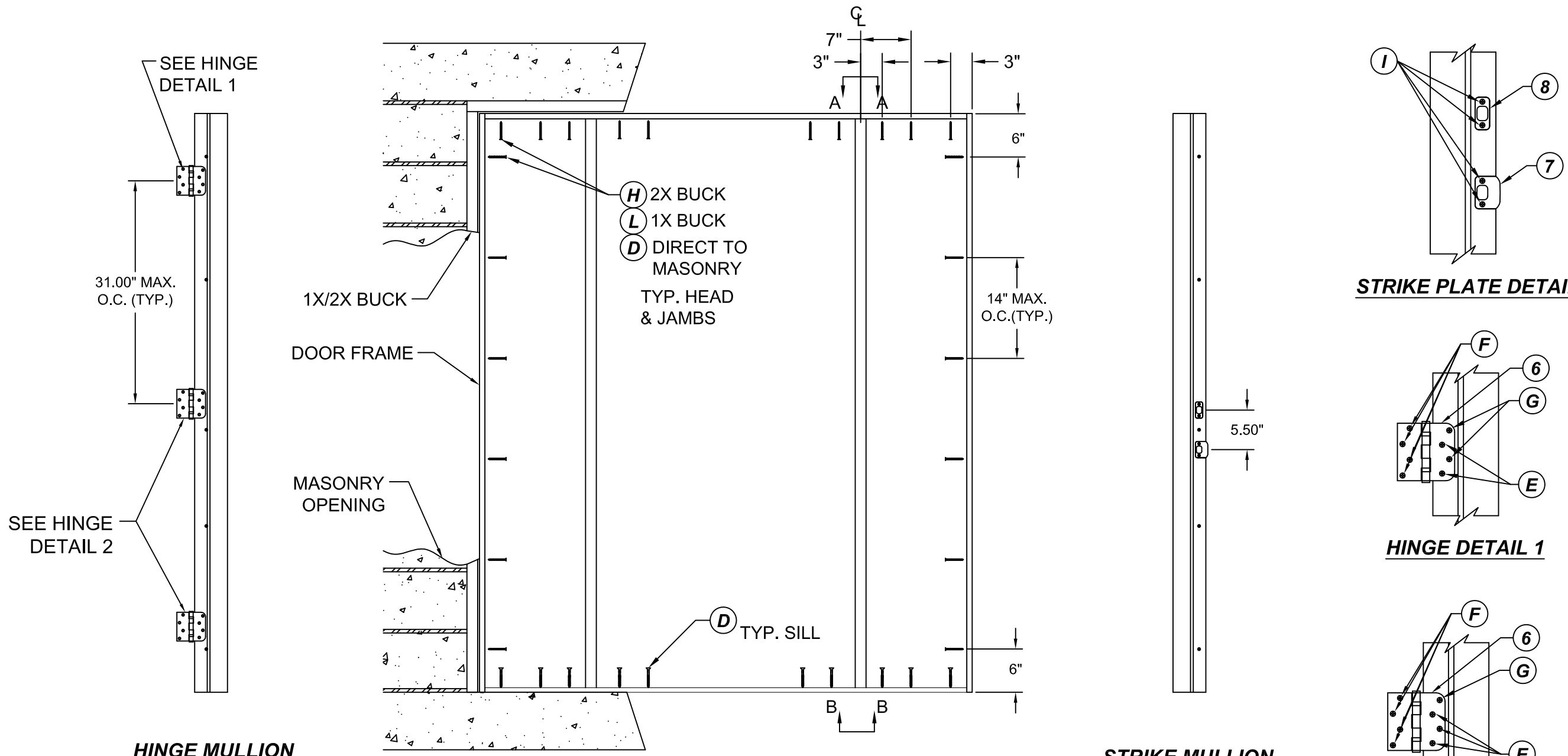
NO.	DESCRIPTION	BY	DATE



DATE: 07.14.16	DWN BY: LS	CHK BY: HFN	SCALE: NTS
-------------------	---------------	----------------	---------------

DWG #: **FL-20867.3**

SHEET: **23 OF 32**



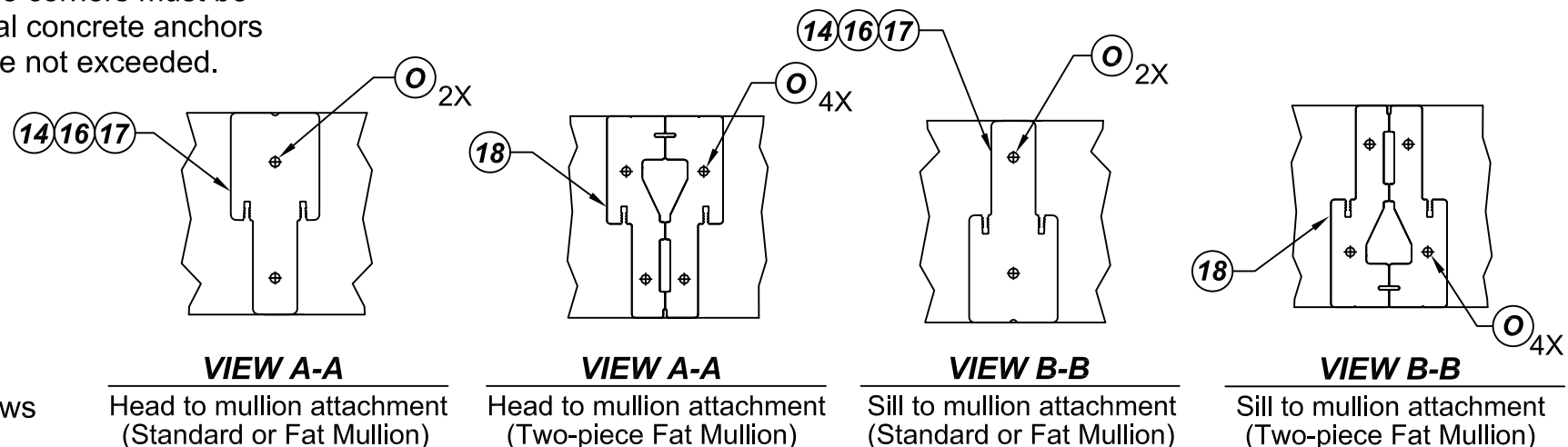
CONCRETE ANCHOR NOTES:

- Concrete anchor locations noted as "MAX ON CENTER" and at the corners must be adjusted to maintain min. edge distance to mortar joints. Additional concrete anchors may be required to ensure the "MAX ON CENTER" dimensions are not exceeded.

ANCHOR TYPE	ANCHOR SIZE	MIN. EMBEDMENT	MIN. CLEARANCE TO MASONRY EDGE	MIN CLEARANCE TO ADJUSTMENT ANCHOR
ITW BUILDEX TAPCON®	1/4"	1-1/4"	2"	4"
ELCO ULTRACON®	1/4"	1-1/4"	1"	4"
ITW BUILDEX TAPCON®	3/16"	1-1/4"	3"	1-1/2"

WOOD SCREW INSTALLATION NOTES:

- Maintain a min. 5/8" edge distance, & 1" o.c. spacing of wood screws to prevent splitting of wood.



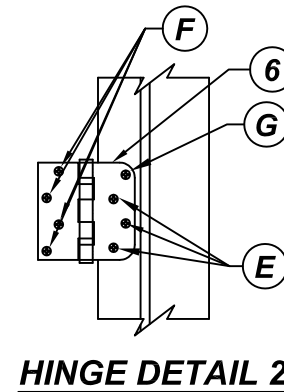
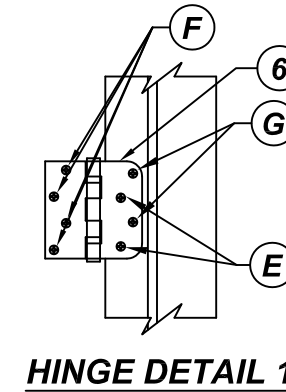
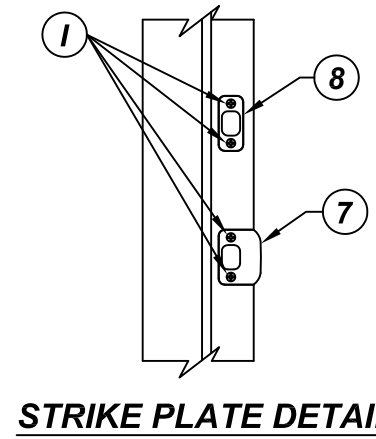
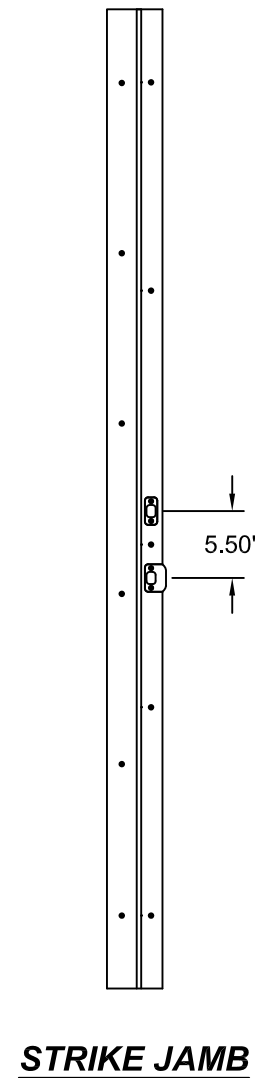
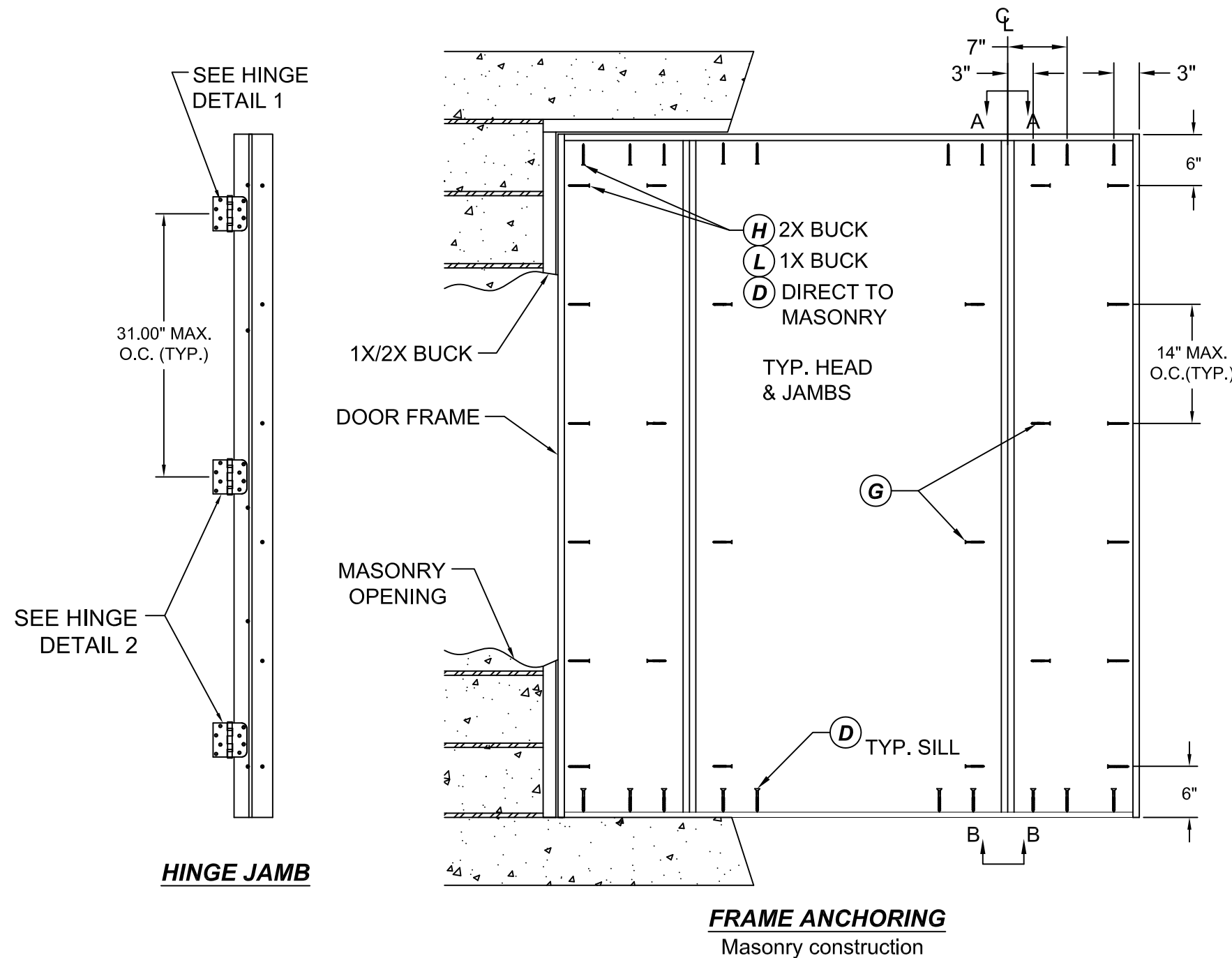
TITLE: GLAZED FIBERGLASS DOOR
NON-IMP. INSWING/OUTSWING

FRAME ANCHORING

PREPARED BY:
BUILDING DROPS, INC.

398 E. DANIA BEACH BLVD. #338
DANIA BEACH, FL 33004

PH: (954) 399-8478 FX: (954) 744-4738



CONCRETE ANCHOR NOTES:

- Concrete anchor locations noted as "MAX ON CENTER" and at the corners must be adjusted to maintain min. edge distance to mortar joints. Additional concrete anchors may be required to ensure the "MAX ON CENTER" dimensions are not exceeded.

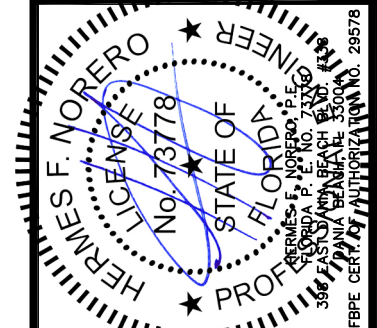
ANCHOR TYPE	ANCHOR SIZE	MIN. EMBEDMENT	MIN. CLEARANCE TO MASONRY EDGE	MIN CLEARANCE TO ADJUSTMENT ANCHOR
ITW BUILDEX TAPCON®	1/4"	1-1/4"	2"	4"
ELCO ULTRACON®	1/4"	1-1/4"	1"	4"
ITW BUILDEX TAPCON®	3/16"	1-1/4"	3"	1-1/2"

WOOD SCREW INSTALLATION NOTES:

- Maintain a min. 5/8" edge distance, & 1" o.c. spacing of wood screws to prevent splitting of wood.

REVISIONS

NO.	DESCRIPTION	BY	DATE



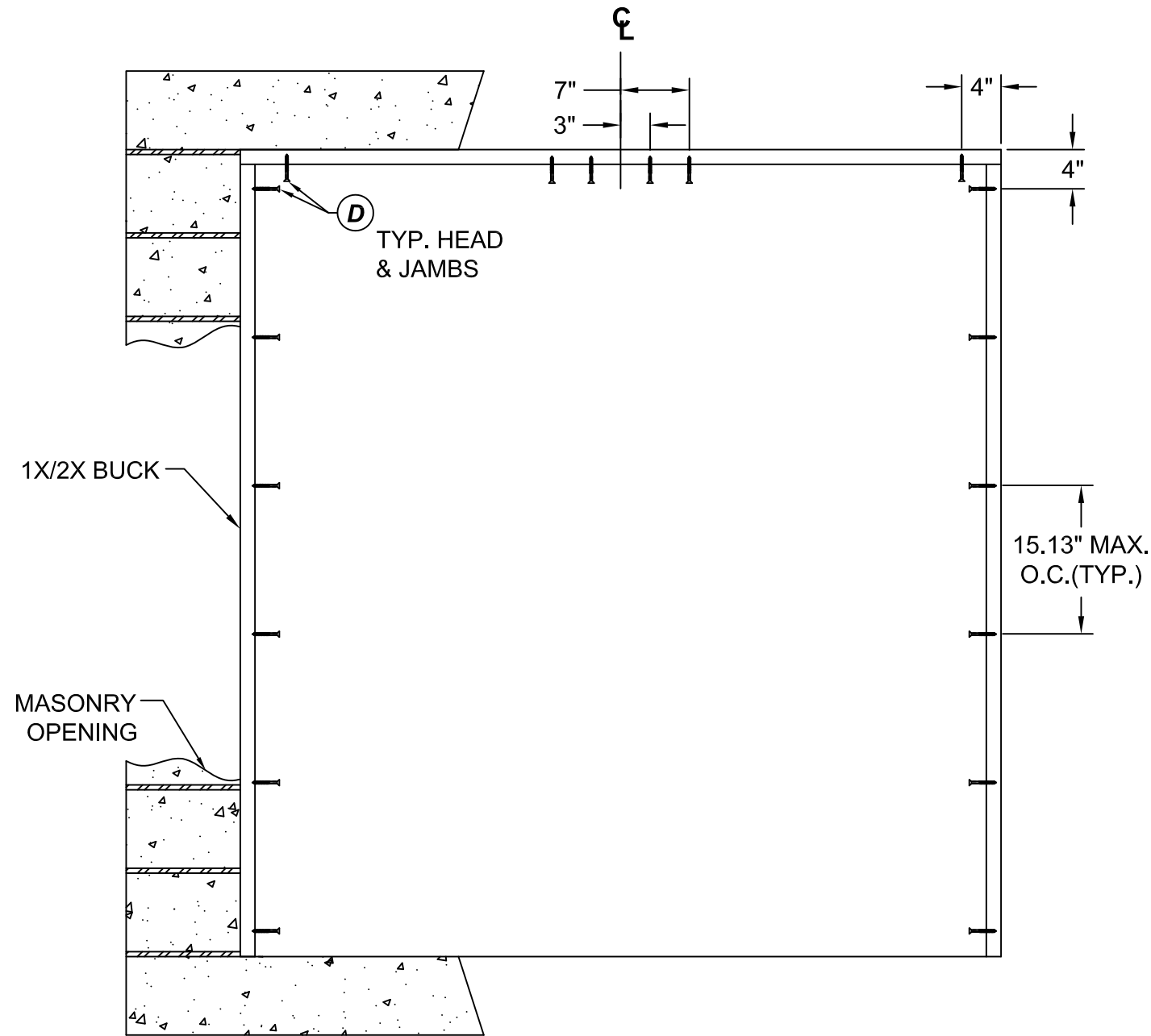
DATE: 07.14.16
DWN BY: LS
CHK BY: HFN
SCALE: NTS

DWG #: **FL-20867.3**
SHEET: **24 OF 32**

TITLE: GLAZED FIBERGLASS DOOR
NON-IMP. INSWING/OUTSWING

BUCK ANCHORING

PREPARED BY:
BUILDING DROPS, INC.
398 E. DANIA BEACH BLVD. #338
DANIA BEACH, FL 33004
PH: (954) 399-8478 FX: (954) 744-4738



BUCK ANCHORING

CONCRETE ANCHOR NOTES:

- Concrete anchor locations noted as "MAX ON CENTER" and at the corners must be adjusted to maintain min. edge distance to mortar joints. Additional concrete anchors may be required to ensure the "MAX ON CENTER" dimensions are not exceeded.
- Concrete anchor table:

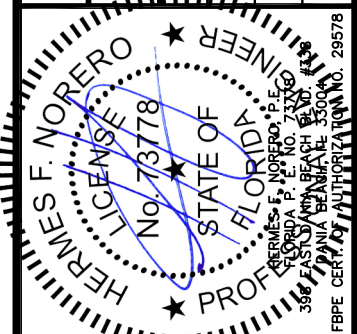
ANCHOR TYPE	ANCHOR SIZE	MIN. EMBEDMENT	MIN. CLEARANCE TO MASONRY EDGE	MIN CLEARANCE TO ADJUSTMENT ANCHOR
ITW BUILDEX TAPCON®	1/4"	1-1/4"	2"	4"
ELCO ULTRACON®	1/4"	1-1/4"	1"	4"
ITW BUILDEX TAPCON®	3/16"	1-1/4"	3"	1-1/2"

WOOD SCREW INSTALLATION NOTES:

- Maintain a min. 5/8" edge distance, & 1" o.c. spacing of wood screws to prevent splitting of wood.

REVISIONS

NO.	DESCRIPTION	BY	DATE



DATE: 07.14.16
DWN BY: LS
CHK BY: HFN
SCALE: NTS

DWG #: **FL-20867.3**

SHEET: **25 OF 32**

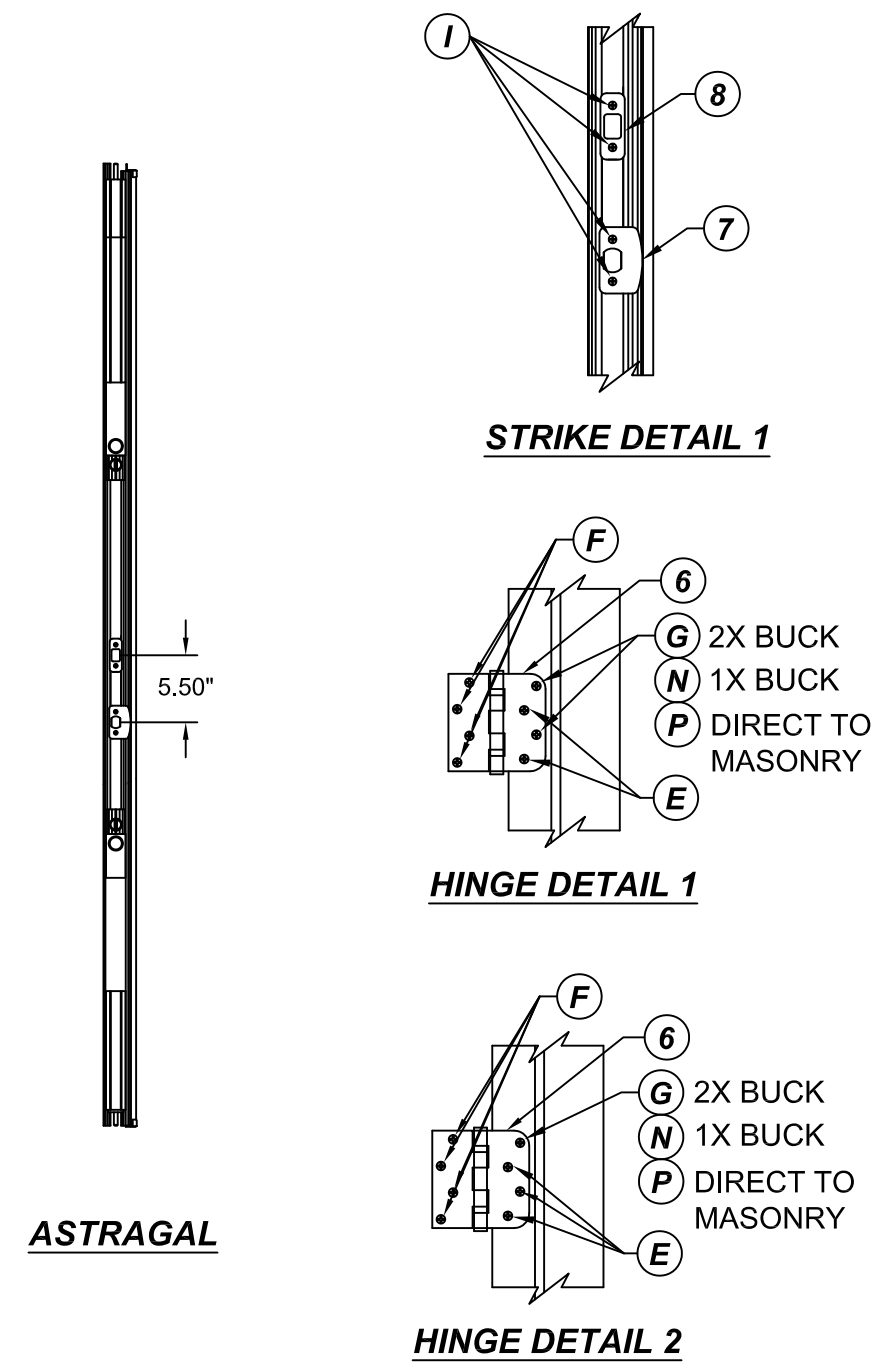
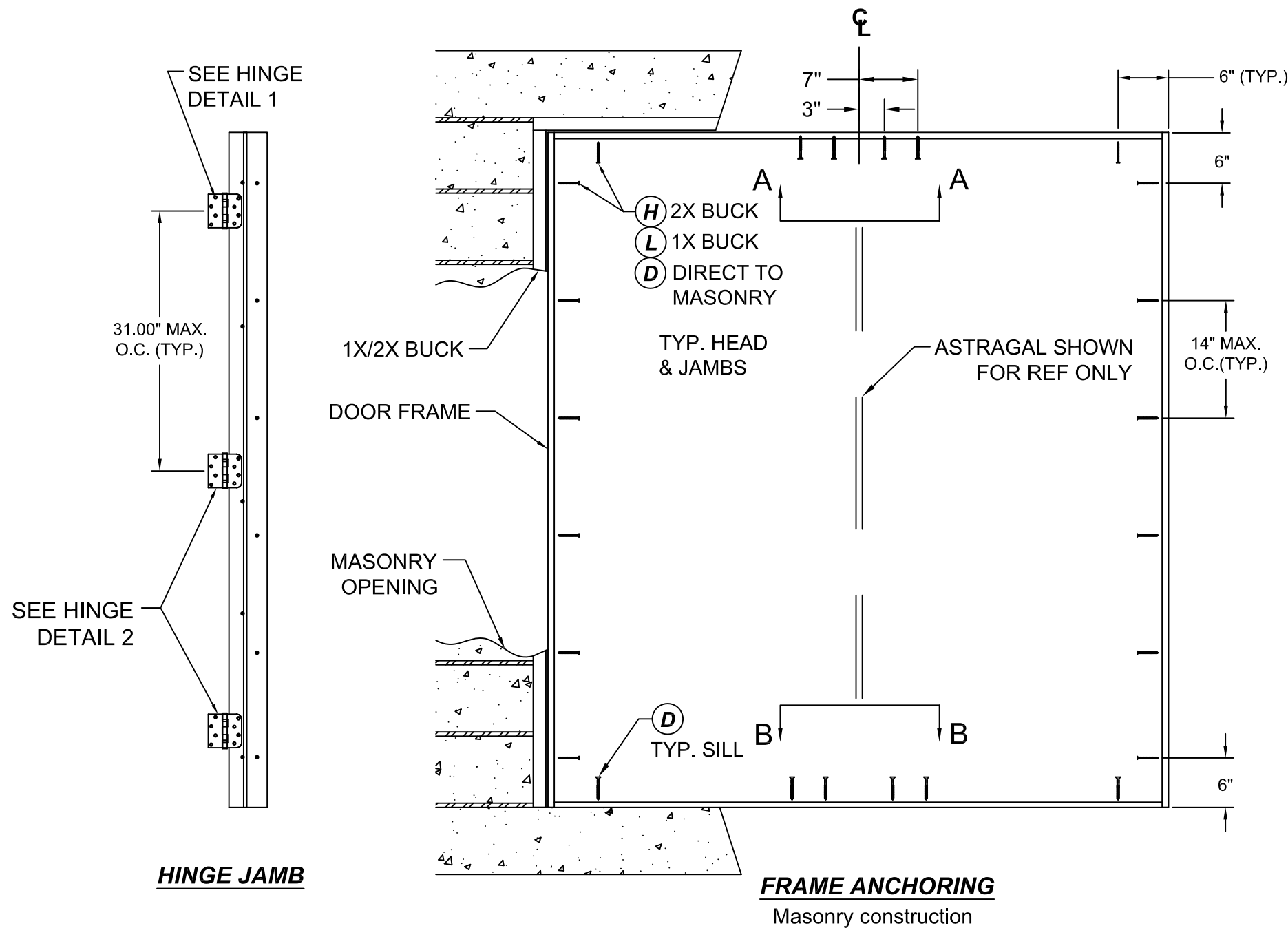
TITLE: GLAZED FIBERGLASS DOOR
NON-IMP. INSWING/OUTSWING

FRAME ANCHORING

PREPARED BY:

BUILDING DROPS, INC.
398 E. DANIA BEACH BLVD. #338
DANIA BEACH, FL 33004

PH: (954) 399-8478
FX: (954) 744-4738



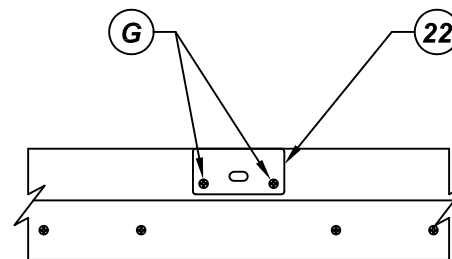
CONCRETE ANCHOR NOTES:

- Concrete anchor locations noted as "MAX ON CENTER" and at the corners must be adjusted to maintain min. edge distance to mortar joints. Additional concrete anchors may be required to ensure the "MAX ON CENTER" dimensions are not exceeded.

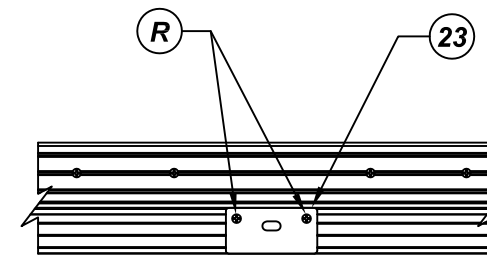
ANCHOR TYPE	ANCHOR SIZE	MIN. EMBEDMENT	MIN. CLEARANCE TO MASONRY EDGE	MIN CLEARANCE TO ADJUSTMENT ANCHOR
ITW BUILDEX TAPCON®	1/4"	1-1/4"	2"	4"
ELCO ULTRACON®	1/4"	1-1/4"	1"	4"
ITW BUILDEX TAPCON®	3/16"	1-1/4"	3"	1-1/2"

WOOD SCREW INSTALLATION NOTES:

- Maintain a min. 5/8" edge distance, & 1" o.c. spacing of wood screws to prevent splitting of wood.



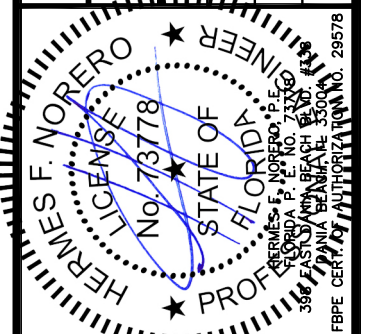
VIEW A-A
Astragal Strike @ Head



VIEW B-B
Astragal Strike @ Sill

REVISIONS

NO.	DESCRIPTION	BY	DATE



DATE: 07.14.16
DWN BY: LS
CHK BY: HFN
SCALE: NTS

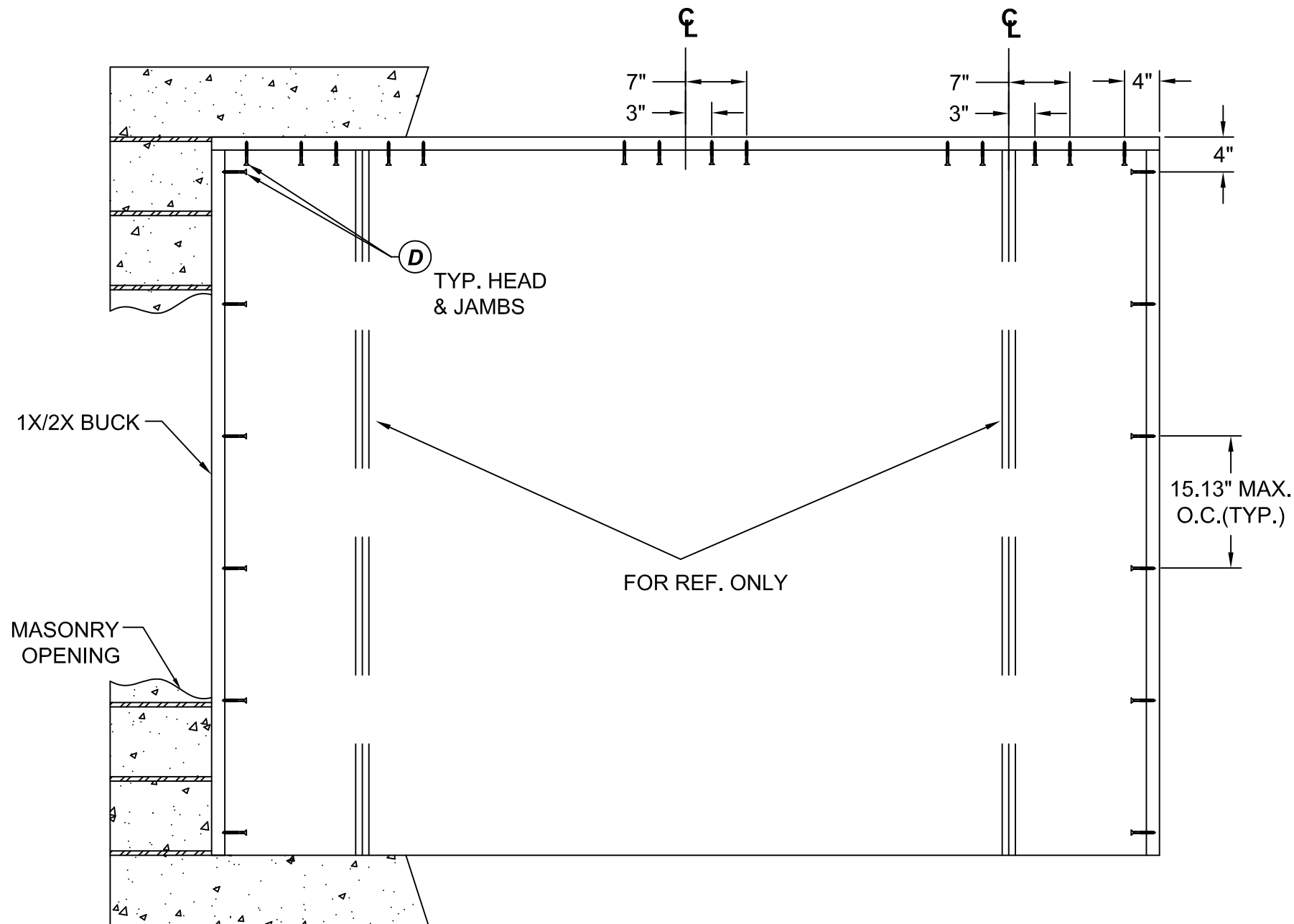
DWG #: **FL-20867.3**

SHEET: **26 OF 32**

TITLE: GLAZED FIBERGLASS DOOR
NON-IMP. INSWING/OUTSWING

BUCK ANCHORING

PREPARED BY:
BUILDING DROPS, INC.
398 E. DANIA BEACH BLVD. #338
DANIA BEACH, FL 33004
PH: (954) 399-8478 FX: (954) 744-4738



BUCK ANCHORING

CONCRETE ANCHOR NOTES:

- Concrete anchor locations noted as "MAX ON CENTER" and at the corners must be adjusted to maintain min. edge distance to mortar joints. Additional concrete anchors may be required to ensure the "MAX ON CENTER" dimensions are not exceeded.
- Concrete anchor table:

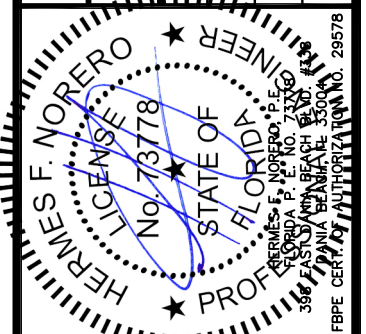
ANCHOR TYPE	ANCHOR SIZE	MIN. EMBEDMENT	MIN. CLEARANCE TO MASONRY EDGE	MIN CLEARANCE TO ADJUSTMENT ANCHOR
ITW BUILDEX TAPCON®	1/4"	1-1/4"	2"	4"
ELCO ULTRACON®	1/4"	1-1/4"	1"	4"
ITW BUILDEX TAPCON®	3/16"	1-1/4"	3"	1-1/2"

WOOD SCREW INSTALLATION NOTES:

- Maintain a min. 5/8" edge distance, & 1" o.c. spacing of wood screws to prevent splitting of wood.

REVISIONS

NO.	DESCRIPTION	BY	DATE



DATE: 07.14.16
DWN BY: LS
CHK BY: HFN
SCALE: NTS

DWG #: **FL-20867.3**

SHEET: **27 OF 32**

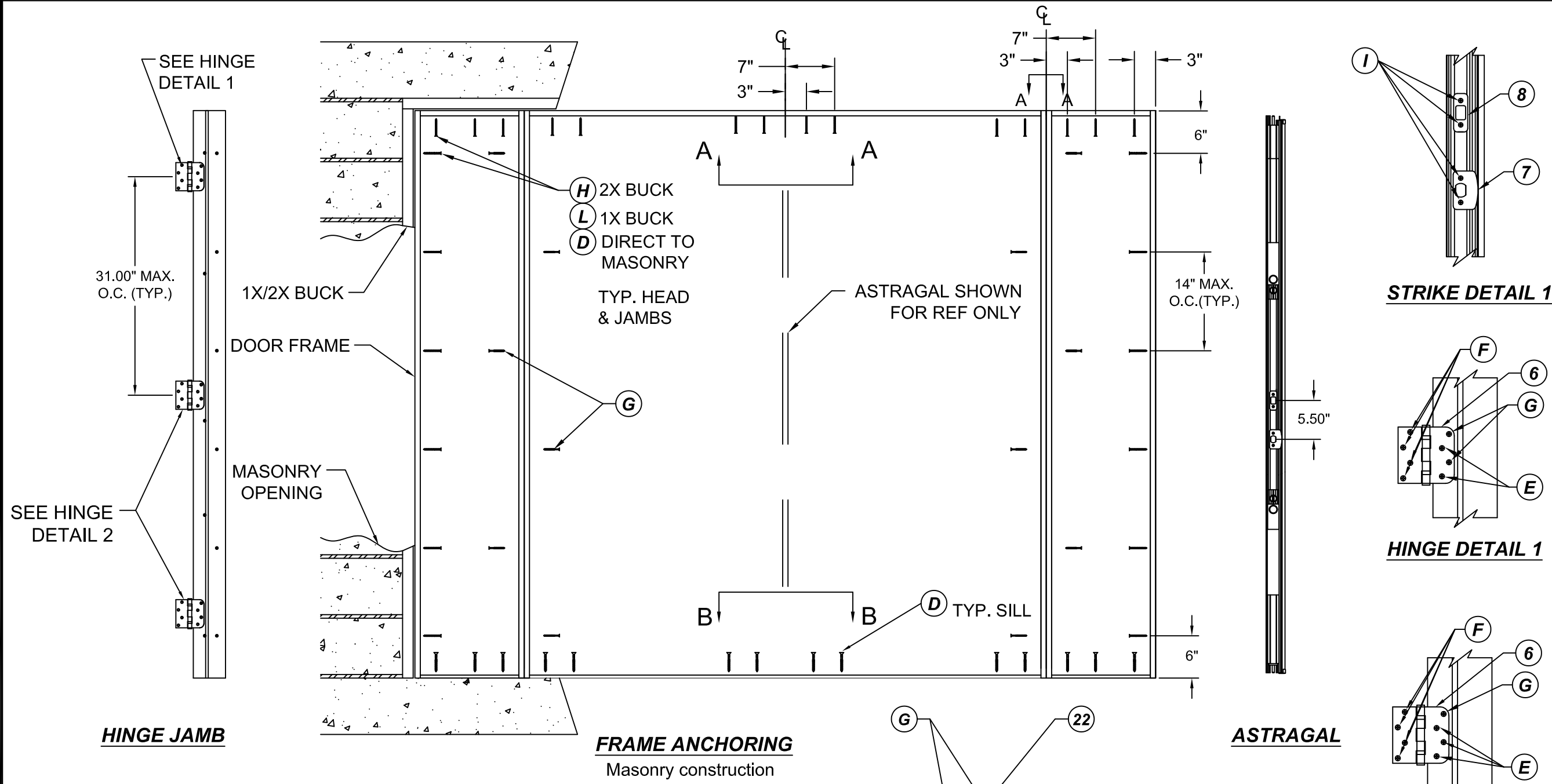
TITLE: GLAZED FIBERGLASS DOOR
NON-IMP. INSWING/OUTSWING

FRAME ANCHORING

PREPARED BY:

BUILDING DROPS, INC.
398 E. DANIA BEACH BLVD. #338
DANIA BEACH, FL 33004

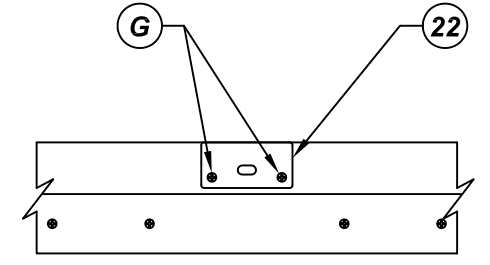
PH: (954) 399-8478
FX: (954) 744-4738



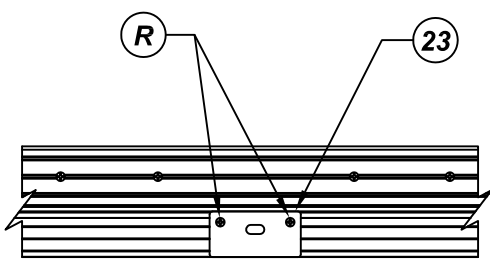
STRIKE DETAIL 1

HINGE DETAIL 1

HINGE DETAIL 2



VIEW A-A
Astragal Strike @ Head



VIEW B-B
Astragal Strike @ Sill

CONCRETE ANCHOR NOTES:

- Concrete anchor locations noted as "MAX ON CENTER" and at the corners must be adjusted to maintain min. edge distance to mortar joints. Additional concrete anchors may be required to ensure the "MAX ON CENTER" dimensions are not exceeded.

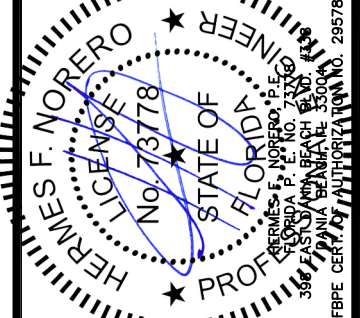
ANCHOR TYPE	ANCHOR SIZE	MIN. EMBEDMENT	MIN. CLEARANCE TO MASONRY EDGE	MIN CLEARANCE TO ADJUSTMENT ANCHOR
ITW BUILDEX TAPCON®	1/4"	1-1/4"	2"	4"
ELCO ULTRACON®	1/4"	1-1/4"	1"	4"
ITW BUILDEX TAPCON®	3/16"	1-1/4"	3"	1-1/2"

WOOD SCREW INSTALLATION NOTES:

- Maintain a min. 5/8" edge distance, & 1" o.c. spacing of wood screws to prevent splitting of wood.

REVISIONS

NO.	DESCRIPTION	BY	DATE



DATE: 07.14.16
DWN BY: LS
CHK BY: HFN
SCALE: NTS

DWG #: **FL-20867.3**
SHEET: **28 OF 32**

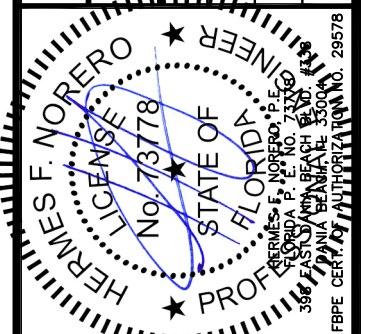
TITLE: GLAZED FIBERGLASS DOOR
NON-IMP. INSWING/OUTSWING

COMPONENTS

PREPARED BY:
BUILDING DROPS, INC.
398 E. DANIA BEACH BLVD. #338
DANIA BEACH, FL 33004
PH: (954) 399-8478 FX: (954) 744-4738

REVISIONS

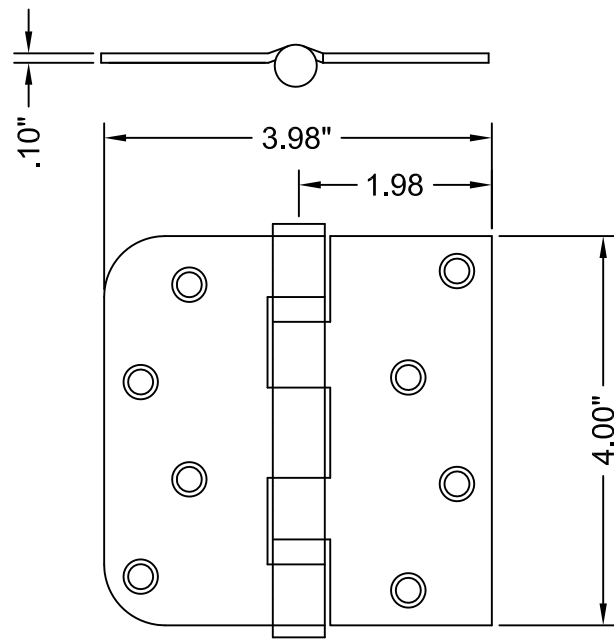
NO.	DESCRIPTION	BY	DATE



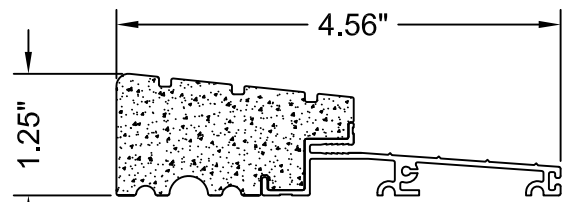
DATE: 07.14.16	DWN BY: LS	CHK BY: HFN	SCALE: NTS
-------------------	---------------	----------------	---------------

DWG #: **FL-20867.3**

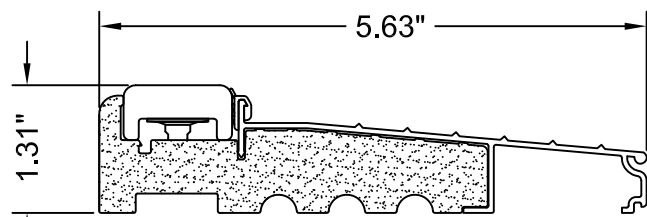
SHEET: **29 OF 32**



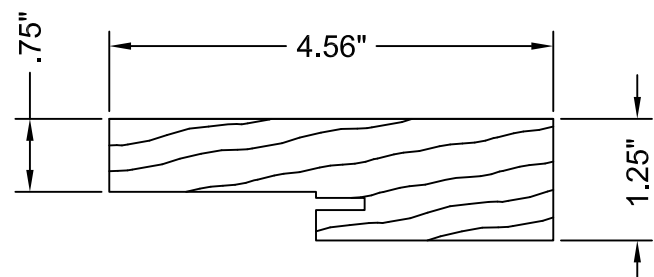
6 HINGE
MATERIAL: STEEL



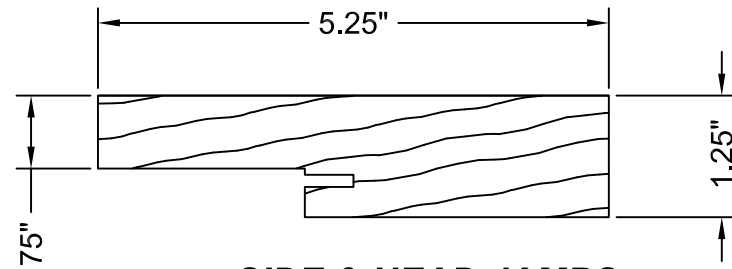
10 OUTSWING SILL
ALUMINUM WITH PVC SUBSTRATE



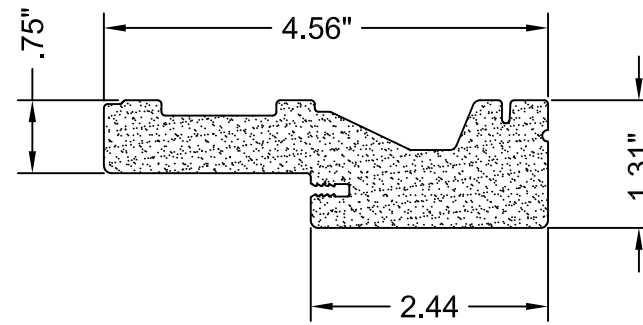
24 INSWING THRESHOLD
ALUMINUM WITH PVC SUBSTRATE



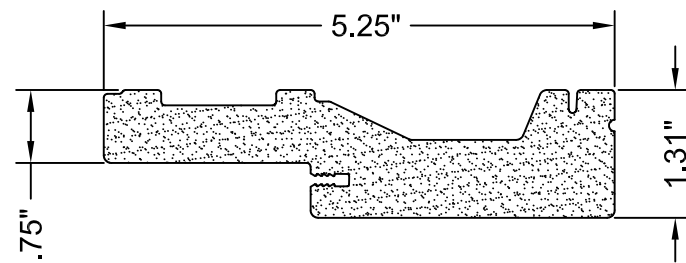
1 SIDE & HEAD JAMBS
MATERIAL: WOOD



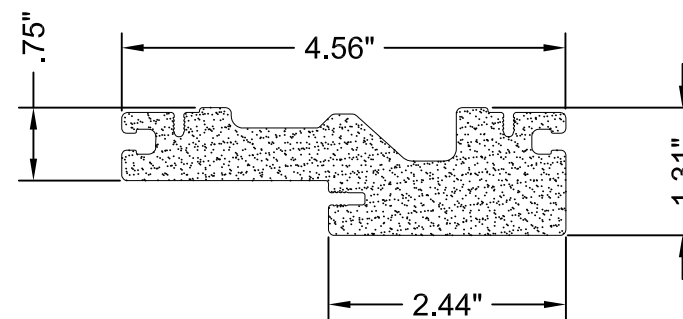
1A SIDE & HEAD JAMBS
(5-1/4" or larger)
MATERIAL: WOOD



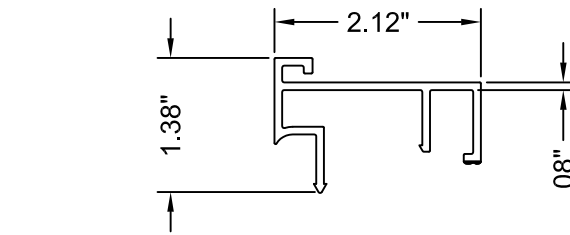
2 SIDE & HEAD JAMBS
MATERIAL: PVC



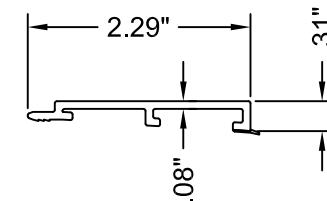
2A SIDE & HEAD JAMBS
(5-1/4" or larger)
MATERIAL: PVC



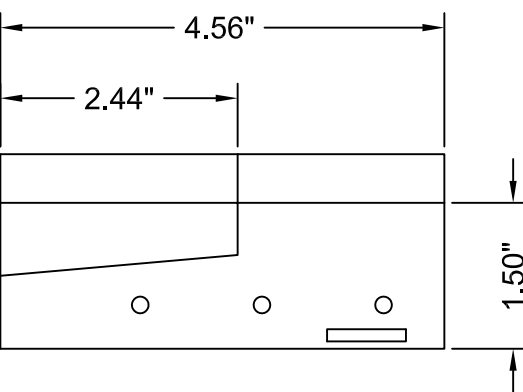
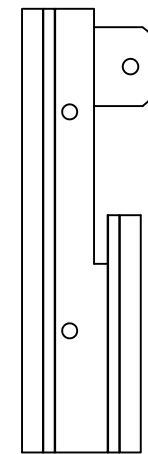
3 SIDE & HEAD JAMBS
MATERIAL: PVC



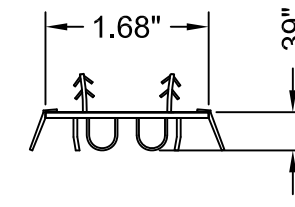
26 OUTSWING SIDELITE SPACER
MATERIAL: PVC



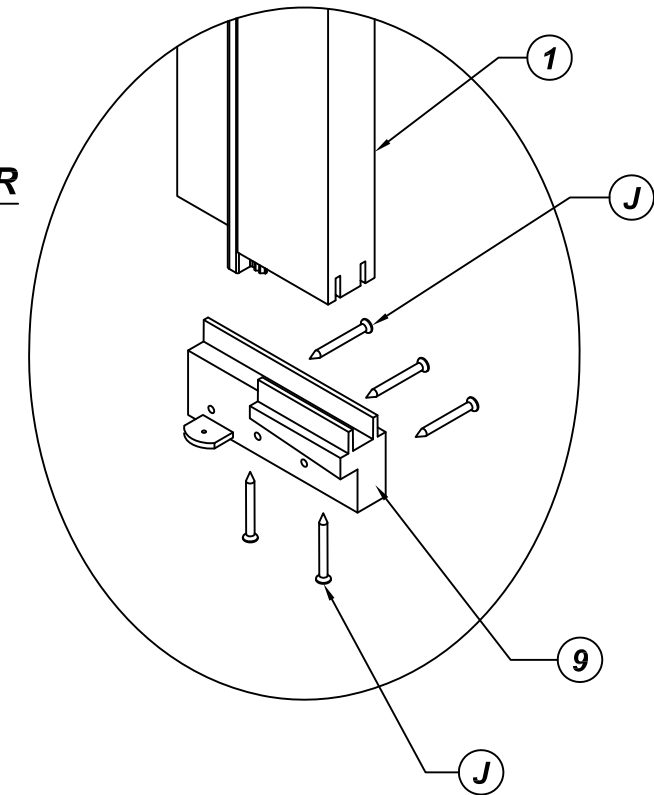
13 OUTSWING SIDELITE SPACER
MATERIAL: PVC



9 SILL KEY DETAIL
OPTIONAL



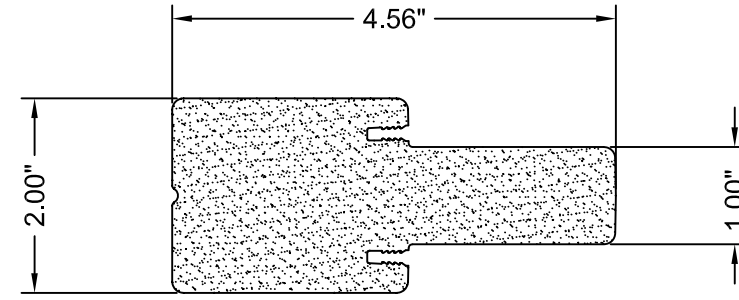
25 DOOR SWEEP
MATERIAL: PVC



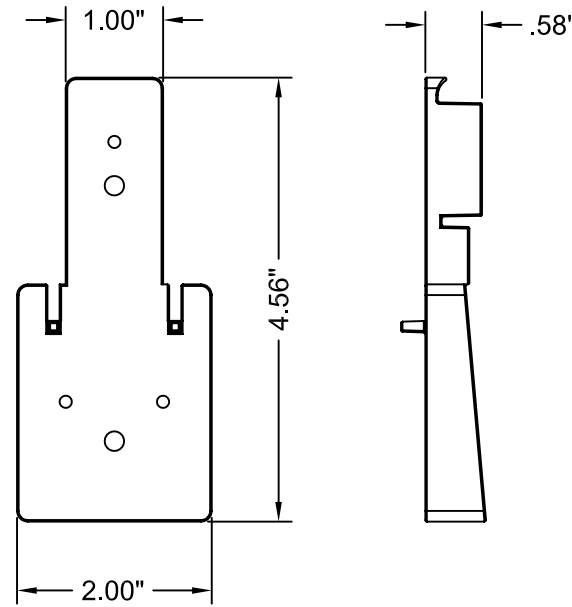
TITLE: GLAZED FIBERGLASS DOOR
NON-IMP. INSWING/OUTSWING

COMPONENTS

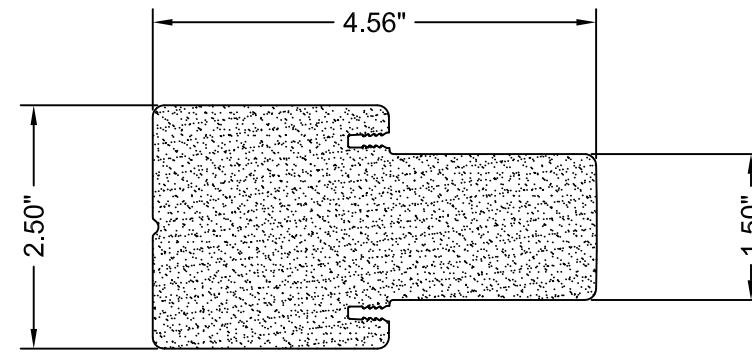
PREPARED BY:
BUILDING DROPS, INC.
398 E. DANIA BEACH BLVD. #338
DANIA BEACH, FL 33004
PH: (954) 399-8478 FX: (954) 744-4738



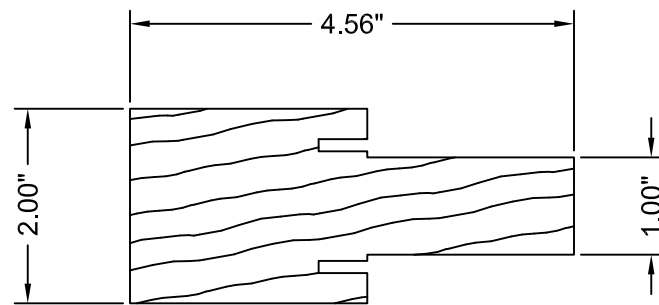
16 STANDARD MULLION
MATERIAL: PVC



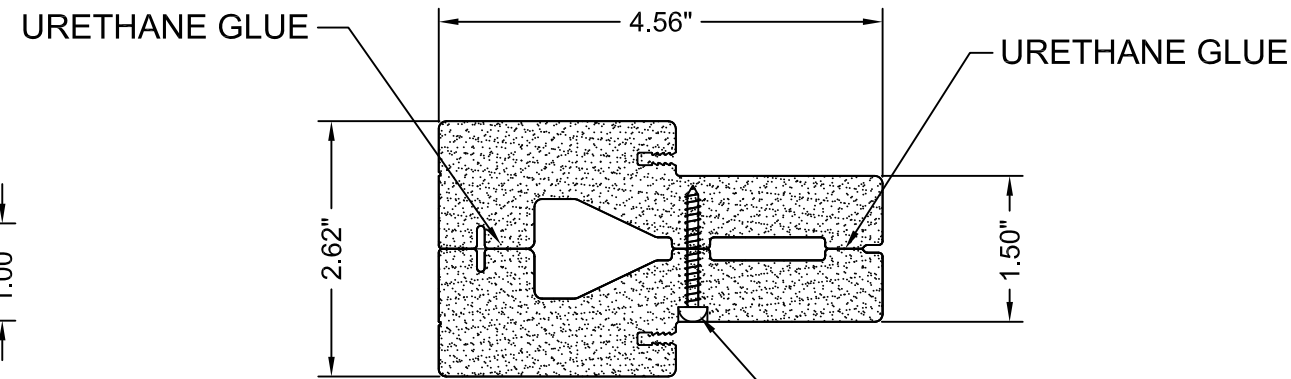
15 MULLION BASE KIT
MATERIAL: PC/ASA



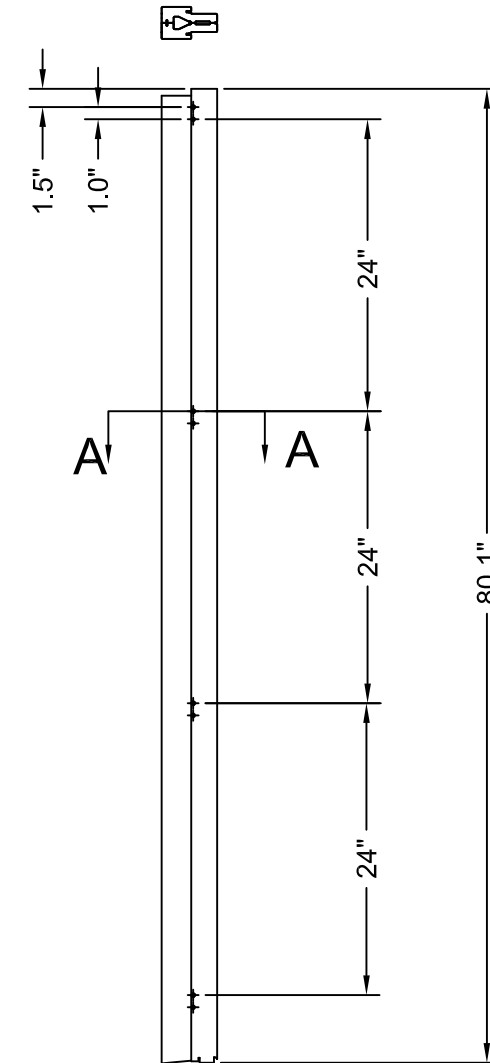
17 FAT MULLION
MATERIAL: PVC



14 STANDARD MULLION
MATERIAL: WOOD



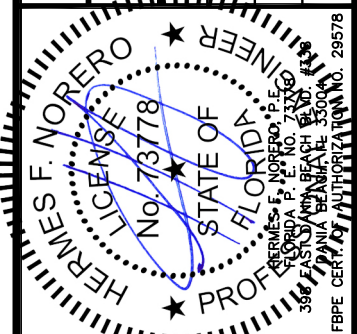
SECTION A-A
#8x1 1/4" PRH WS (4 NEAR SIDE)
#8x1 1/4" PRH WS (4 FAR SIDE)



18 TWO-PIECE "FAT" MULLION
MATERIAL: PVC

REVISIONS

NO.	DESCRIPTION	BY	DATE



DATE:	DWN BY:	CHK BY:	SCALE:
07.14.16	LS	HFN	NTS

DWG #: **FL-20867.3**

SHEET: **30 OF 32**

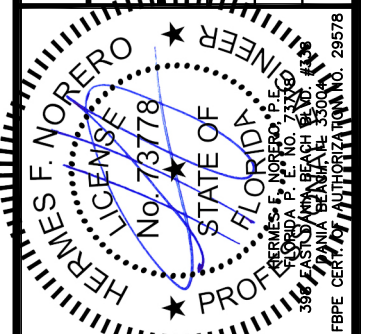
TITLE: GLAZED FIBERGLASS DOOR
NON-IMP. INSWING/OUTSWING

COMPONENTS

PREPARED BY:
BUILDING DROPS, INC.
398 E. DANIA BEACH BLVD. #338
DANIA BEACH, FL 33004
PH: (954) 399-8478 FX: (954) 744-4738

REVISIONS

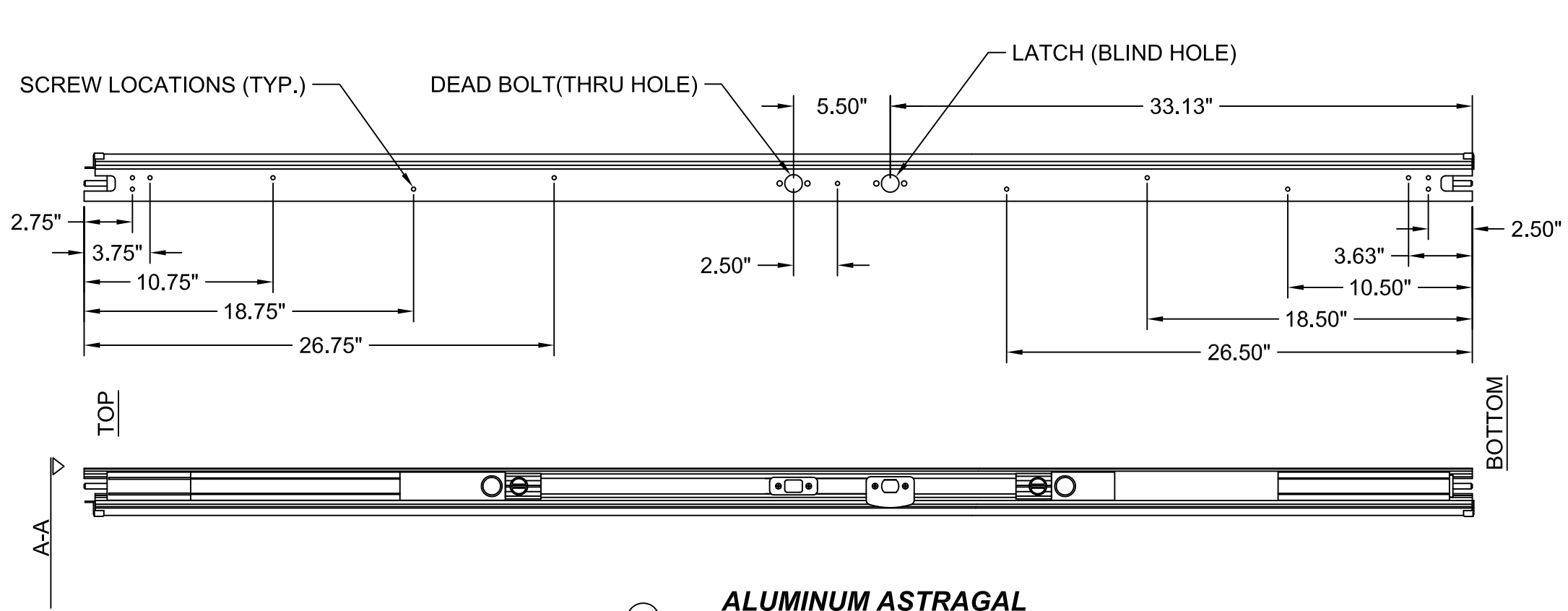
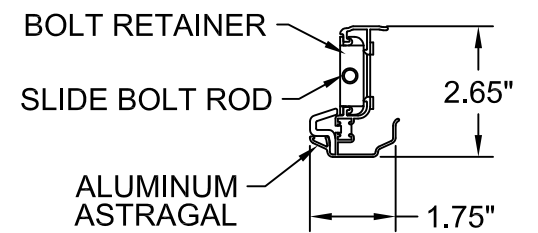
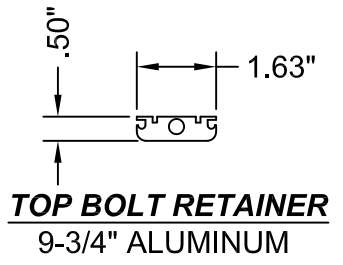
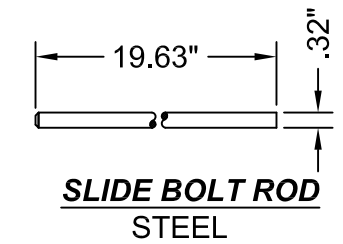
NO.	DESCRIPTION	BY	DATE



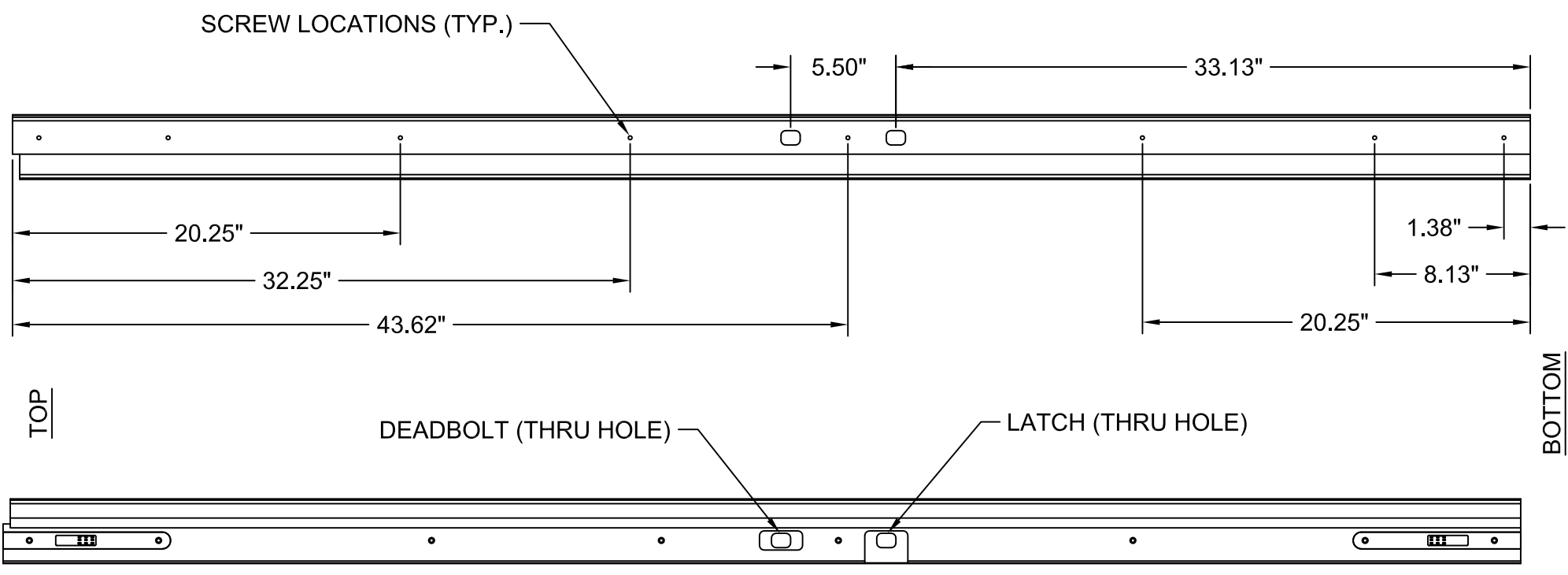
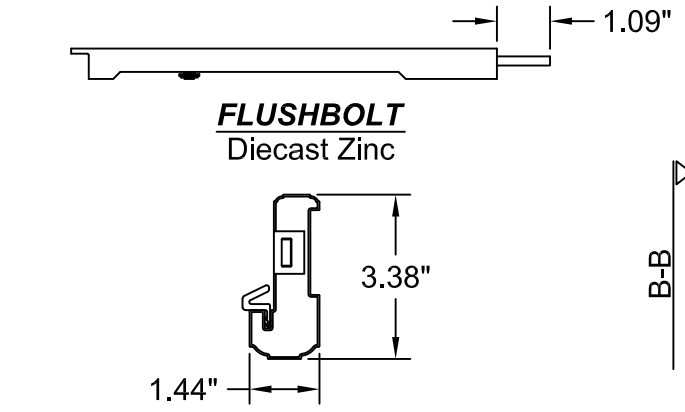
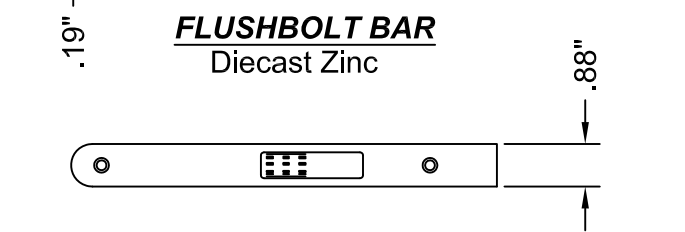
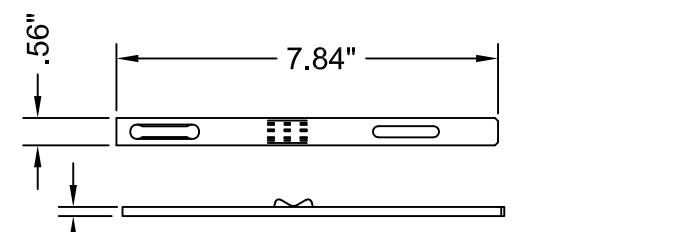
DATE:	DWN BY:	CHK BY:	SCALE:
07.14.16	LS	HFN	NTS

DWG #: **FL-20867.3**

SHEET: **31 OF 32**



20 **ALUMINUM ASTRAGAL**
6'8 Aluminum Astragal by Endura Products



21 **PVC ASTRAGAL**
6'8 PVC Astragal by Trinity

